

●

1964
PONTIAC
&
TEMPEST

●

MOLDING
&
CLIP CATALOG

effective may 1st., 1964

PONTIAC UNDERGROUND

●

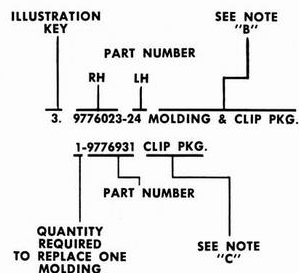
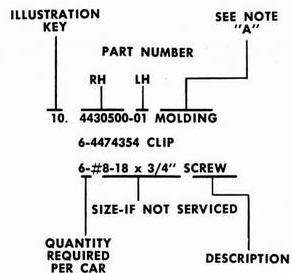
PONTIAC MOTOR DIVISION
GENERAL MOTORS CORPORATION
PONTIAC, MICHIGAN

1964 MOLDING AND ATTACHING PARTS

This publication is issued for the model year of 1964. It is prepared to provide a fast and accurate method for locating part numbers for all exterior moldings and their attaching parts. To insure all information is current and up to date consult the MASTER PARTS CATALOG and PRICE SCHEDULE. Any suggestions or discrepancies that you may find in this booklet should be forwarded to this department.

The body illustrations are keyed to the moldings and like numbers are to be found in the text. In the event no attaching parts are shown, the molding is of a snap-on type.

See illustration below for interpretation of nomenclature.



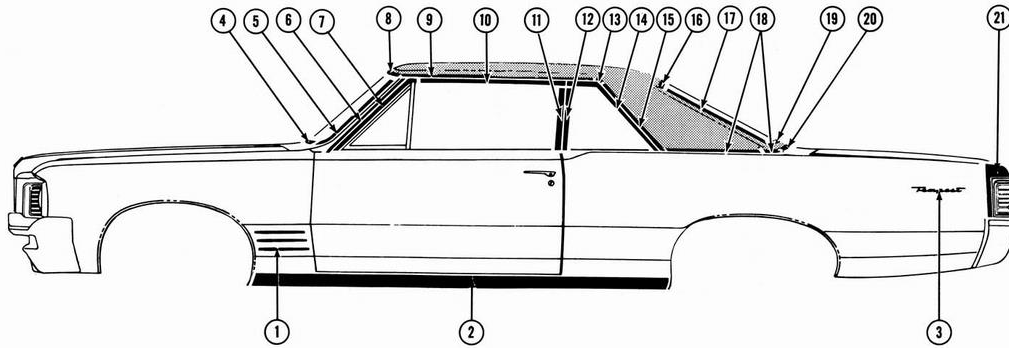
NOTE "A"—MOLDING ONLY, REQUIRES ALL LISTED ATTACHING PARTS FOR INSTALLATION.

NOTE "B"—MOLDING & CLIP PACKAGES CONTAIN THE MOLDING AND ALL ATTACHING PARTS FOR ONE SIDE ONLY.

NOTE "C"—CLIP PACKAGE IS NOT REQUIRED WHEN MOLDING & CLIP PACKAGE ISSUED.

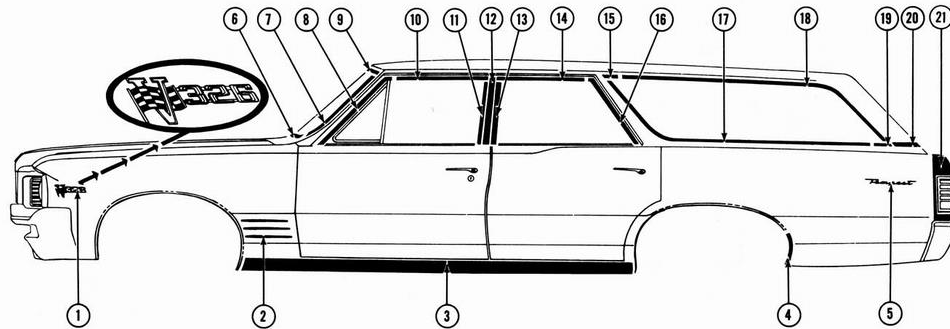
PONTIAC MOTOR DIVISION
PARTS AND ACCESSORIES DEPARTMENT
196 OAKLAND AVE.
PONTIAC, MICHIGAN

Information herein is up-to-date as of the date of publication. Dealerships should make necessary revisions when the monthly parts release and change notice or any other parts or service department bulletin is received.



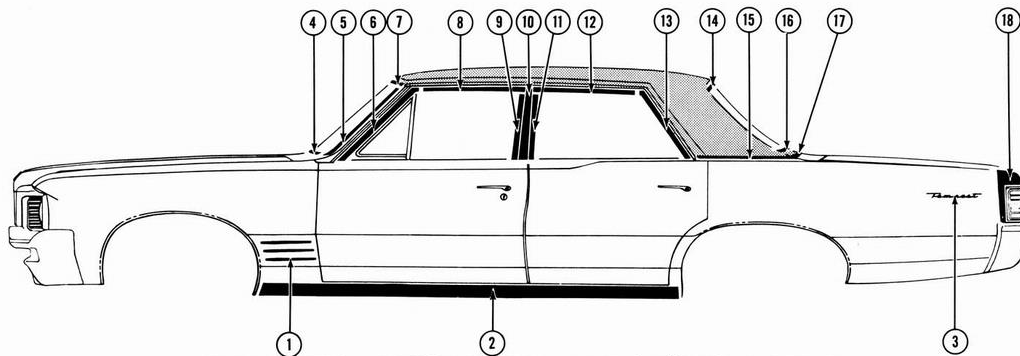
1964 TEMPEST 2-DOOR COUPE — 2027 (W/2-TONE PAINT)

- | | | | |
|---|---|--|--|
| 1. 3-9774159-60 ORNAMENT
6-9411618 NUT | 6. 4430532-33 MOLDING | 13. 2-4456067 ESCUTCHEON | 18. 4437501-02 MOLDING
2-4830980 CLIP
2-9419764 NUT
4-4437487 CLIP |
| 2. 9774795-96 MOLDING &
CLIP PKG. | 7. 4411952-53 MOLDING-FRT. | 14. 4411686-87 MOLDING-UPR.
3-4418717 CLIP | 19. 4430549 MOLDING-LWR.
4-4474354 CLIP
4-#8-18 x 3/4" SCREW |
| 3. 2-4426202 NAME PLATE
3-9419764 NUT | 8. 4430502-03 MOLDING-UPR.
4-4474354 CLIP
4-#8-18 x 3/4" SCREW | 15. 4456074-75 MOLDING-REAR | 20. 4440322 MOLDING-BELT
7-4830980 CLIP
7-9419764 NUT |
| 4. 4430558 MOLDING-LWR.
7-4474354 CLIP
7-#8-18 x 3/4" SCREW | 9. 4456072-73 MOLDING-FRT. | 16. 4430552-53 MOLDING-UPR.
4-4474354 CLIP
4-#8-18 x 3/4" SCREW | 21. 4409937-38 EXTENSION
4426772 GASKET
8-4411489 NUT |
| 5. 4430500-01 MOLDING-SIDE
4-4474354 CLIP
4-#8-18 x 3/4" SCREW | 10. 4409816-17 MOLDING-UPR. | 17. 4430544-45 MOLDING-SIDE
3-4474354 CLIP
3-#8-18 x 3/4" SCREW | |
| | 11. 4464153-54 MOLDING-REAR | | |
| | 12. 4464162-63 MOLDING-FRT.
3-4464403 CLIP | | |



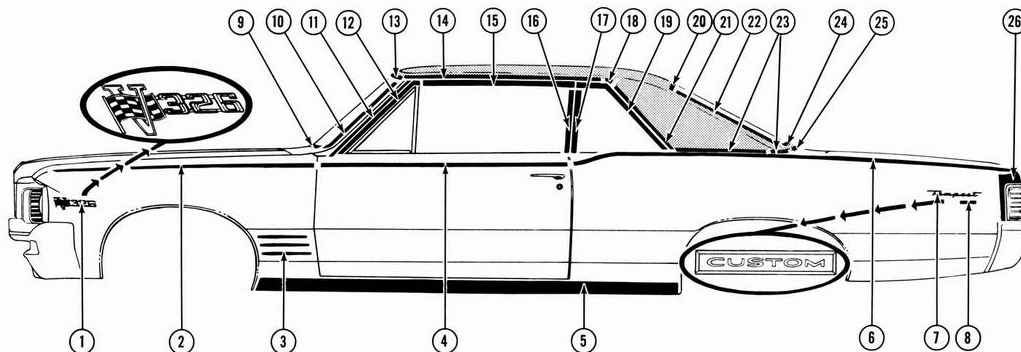
1964 TEMPEST 4-DOOR SAFARI STATION WAGON — 2035

- | | | | |
|--|---|--|---|
| 1. 9775023-24 EMBLEM
2-3751546 NUT | 7. 4430500-01 MOLDING-SIDE
4-4474354 CLIP
4-#8-18 x 3/4" SCREW | 13. 4424796-97 MOLDING-FRT. | 19. 4430413-14 MOLDING-LWR. REAR |
| 2. 3-9774159-60 ORNAMENT
6-9411618 NUT | 8. 4411952-53 MOLDING-FRT. | 14. 4410814-15 MOLDING-UPR. | 20. 4408982-83 MOLDING-FINISH
4-#8-18 x 3/4" SCREW
2-4485531 WASHER |
| 3. 9774795-96 MOLDING &
CLIP PKG. | 9. 4430502-03 MOLDING-UPR.
4-4474354 CLIP
4-#8-18 x 3/4" SCREW | 15. 4430413-14 MOLDING-UPR. FRT. | 21. 4415707-08 EXTENSION
4426772 GASKET
2-5954893 GASKET
2-4421400 SCREW
2-4755299 NUT
2-4411489 NUT
4-4405528 SCREW |
| 4. 9775443-44 SHIELD
3-588546 SCREW | 10. 4409818-19 MOLDING-UPR. | 16. 4410598-99 MOLDING-REAR | |
| 5. 2-4426202 NAME PLATE
3-9419764 NUT | 11. 4424792-93 MOLDING-REAR | 17. 4430490-91 MOLDING-LWR.
10-4474354 CLIP
10-#8-18 x 3/4" SCREW | |
| 6. 4430558 MOLDING-LWR.
7-4474354 CLIP
7-#8-18 x 3/4" SCREW | 12. 4424798-99 MOLDING-PILLAR
2-#8-18 x 1/4" SCREW | 18. 4430492-93 MOLDING-UPR.
8-4474354 CLIP
8-#8-18 x 3/4" SCREW | |



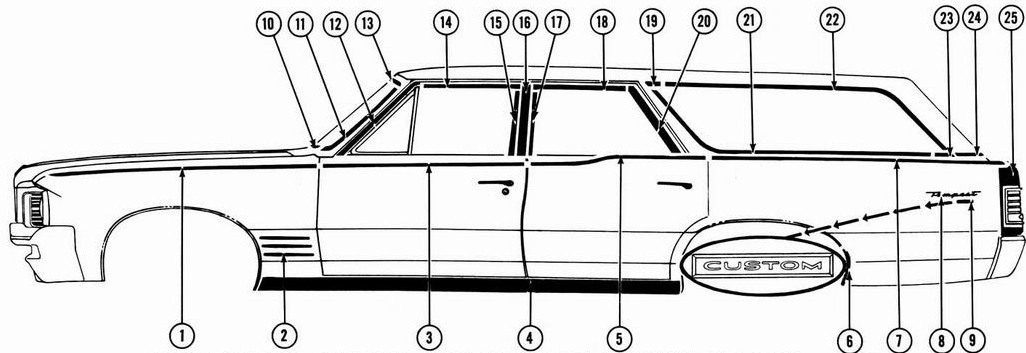
1964 TEMPEST 4-DOOR SEDAN – 2069 (W/2-TONE PAINT)

- | | | | |
|--|---|--|--|
| 1. 3-9774159-60 ORNAMENT-SIDE
6-9411618 NUT | 5. 4430500-01 MOLDING-SIDE
4-4474354 CLIP
4-#8-18 x 3/4" SCREW | 10. 4424798-99 MOLDING-PILLAR
2-#8-18 x 1/4" SCREW | 15. 4444823-24 MOLDING-BELT
4-9419764 NUT
4-4440304 CLIP
2-4837349 BOLT & CLIP |
| 2. 9774795-96 MOLDING & CLIP PKG. | 6. 4411952-53 MOLDING-FRT. | 11. 4464157-58 MOLDING-FRT. | 16. 4430540-41 MOLDING-LWR.
5-4474354 CLIP
5-#8-18 x 3/4" SCREW
3-4467715 SPACER |
| 3. 2-4426202 NAME PLATE
3-9419764 NUT | 7. 4430502-03 MOLDING-UPR.
4-4474354 CLIP
4-#8-18 x 3/4" SCREW | 12. 4410810-11 MOLDING-UPR. | 17. 4444822 MOLDING-BELT
5-9419764 NUT
5-4837349 BOLT & CLIP |
| 4. 4430558 MOLDING-LWR.
7-4474354 CLIP
7-#8-18 x 3/4" SCREW | 8. 4409818-19 MOLDING-UPR. | 13. 4410580-81 MOLDING-REAR | 18. 4409937-38 EXTENSION
4426772 GASKET
8-4411489 NUT |
| | 9. 4424792-93 MOLDING-REAR | 14. 4430542-43 MOLDING-UPR.
7-4474354 CLIP
7-#8-18 x 3/4" SCREW
4-4467715 SPACER | |



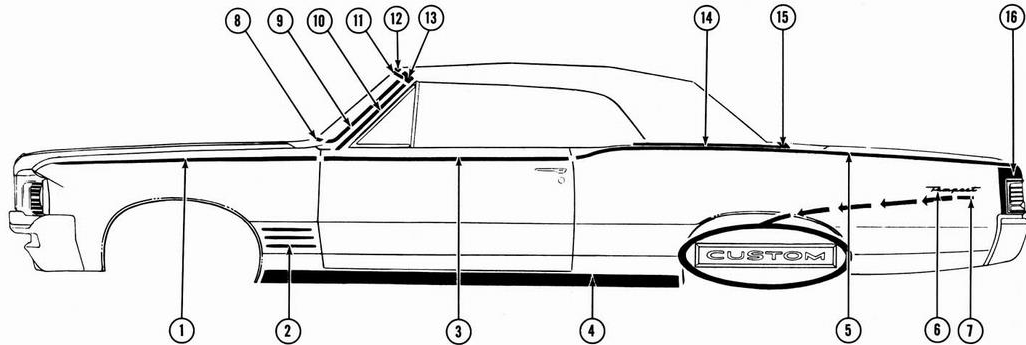
1964 TEMPEST CUSTOM 2-DOOR COUPE – 2127 (W/CORDOVA TOP)

- | | | | |
|---|--|--|---|
| 1. 9775023-24 EMBLEM
2-3751546 NUT | 7. 2-4426202 NAME PLATE
3-9419764 NUT | 14. 4456072-73 MOLDING-FRT. | 23. 4437501-02 MOLDING-BELT
2-4830980 CLIP
2-9419764 NUT
8-4437487 CLIP |
| 2. 9776011-12 MOLDING & CLIP PKG.
1-9776927 CLIP PKG. | 8. 2-4440393 NAME PLATE
2-9419764 NUT | 15. 4409816-17 MOLDING-UPR. | 24. 4430549 MOLDING-LWR.
4-4474354 CLIP
4-#8-18 x 3/4" SCREW |
| 3. 3-9774159-60 ORNAMENT
6-9411618 NUT | 9. 4430558 MOLDING-LWR.
7-4474354 CLIP
7-#8-18 x 3/4" SCREW | 16. 4464153-54 MOLDING-REAR | 25. 4440322 MOLDING-BELT
7-4830980 CLIP
7-9419764 NUT |
| 4. 9775991-92 MOLDING & CLIP PKG.
1-9776921 CLIP PKG. | 10. 4430500-01 MOLDING-SIDE
4-4474354 CLIP
7-#8-18 x 3/4" SCREW | 17. 4464162-63 MOLDING-FRT.
3-4464403 CLIP | 26. 4409937-38 EXTENSION
4426772 GASKET
8-4411489 NUT |
| 5. 9774795-96 MOLDING & CLIP PKG. | 11. 4430532-33 MOLDING | 18. 2-4456067 ESCUTCHEON | |
| 6. 9776002-03 MOLDING & CLIP PKG.
1-9776922 CLIP PKG. | 12. 4411952-53 MOLDING-FRT. | 19. 4411686-87 MOLDING-UPR. | |
| | 13. 4430502-03 MOLDING-UPR.
4-4474354 CLIP
4-#8-18 x 3/4" SCREW | 20. 4430552-53 MOLDING-UPR.
4-4474354 CLIP
4-#8-18 x 3/4" SCREW | |
| | | 21. 4456074-75 MOLDING-REAR | |
| | | 22. 4430544-45 MOLDING-SIDE
3-4474354 CLIP
3-#8-18 x 3/4" SCREW | |



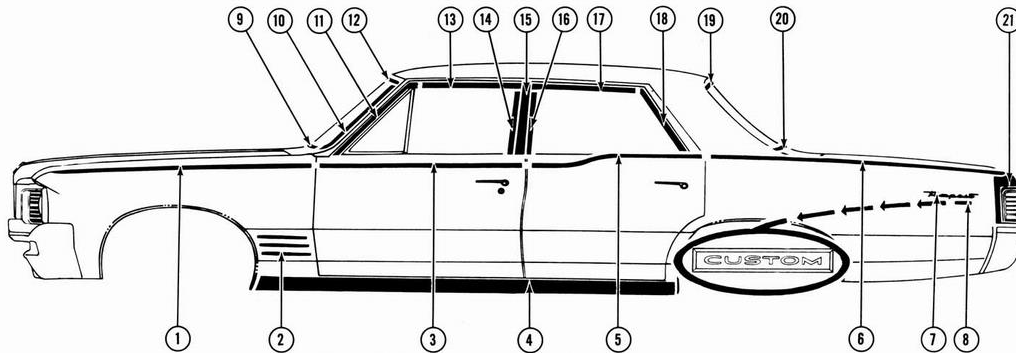
1964 TEMPEST CUSTOM 4-DOOR SAFARI STATION WAGON - 2135

- | | | | |
|---|--|---|---|
| <p>1. 9776011-12 MOLDING & CLIP PKG.
1-9776927 CLIP PKG.</p> <p>2. 3-9774159-60 ORNAMENT
6-9411618 NUT</p> <p>3. 2-9775993 MOLDING & CLIP PKG.
1-9776921 CLIP PKG.</p> <p>4. 9774795-96 MOLDING & CLIP PKG.</p> <p>5. 9775994-95 MOLDING & CLIP PKG.
1-9776921 CLIP PKG.</p> <p>6. 9775443-44 SHIELD
3-588546 SCREW</p> | <p>7. 9776000-01 MOLDING & CLIP PKG.
18-4894059 CLIP</p> <p>8. 2-4426202 NAME PLATE
3-9419764 NUT</p> <p>9. 2-4440393 NAME PLATE
2-9419764 NUT</p> <p>10. 4430558 MOLDING-LWR.
7-4474354 CLIP
7-#8-18 x 3/4" SCREW</p> <p>11. 4430500-01 MOLDING-SIDE
4-4474354 CLIP
4-#8-18 x 3/4" SCREW</p> <p>12. 4411952-53 MOLDING-FRT.</p> | <p>13. 4430502-03 MOLDING-UPR.
4-4474354 CLIP
4-#8-18 x 3/4" SCREW</p> <p>14. 4409818-19 MOLDING-UPR.</p> <p>15. 4424792-93 MOLDING-REAR</p> <p>16. 4424798-99 MOLDING-PILLAR
2-#8-18 x 1/4" SCREW</p> <p>17. 4424796-97 MOLDING-FRT.</p> <p>18. 4410814-15 MOLDING-UPR.</p> <p>19. 4430413-14 MOLDING-UPR.-FRT.</p> <p>20. 4410598-99 MOLDING-REAR</p> <p>21. 4430490-91 MOLDING-LWR.
10-4474354 CLIP
10-#8-18 x 3/4" SCREW</p> | <p>22. 4430492-93 MOLDING-UPR.
8-4474354 CLIP
8-#8-18 x 3/4" SCREW</p> <p>23. 4430413-14 MOLDING-LWR.-REAR</p> <p>24. 4408982-83 MOLDING-FINISH
4-#8-18 x 3/4" SCREW
2-4485531 WASHER</p> <p>25. 4415707-08 EXTENSION
4426772 GASKET
2-5954893 GASKET
2-4421400 SCREW
2-4755299 NUT
2-4411489 NUT
4-4405528 SCREW</p> |
|---|--|---|---|



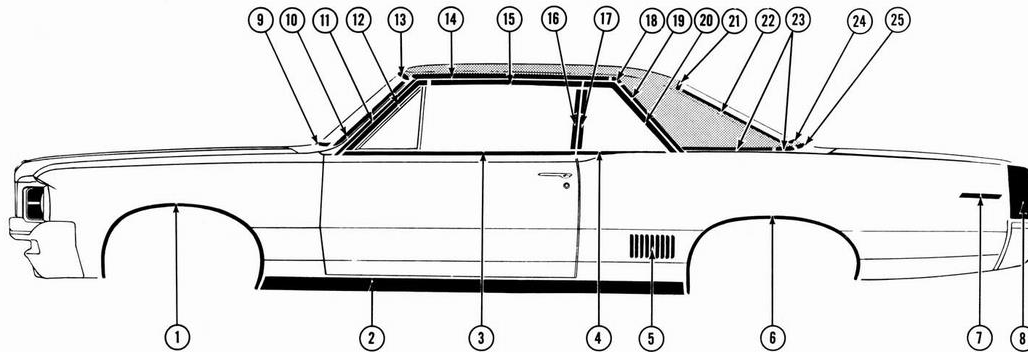
1964 TEMPEST CUSTOM CONVERTIBLE COUPE - 2167

- | | | | |
|--|---|---|---|
| <p>1. 9776011-12 MOLDING & CLIP PKG.
1-9776927 CLIP PKG.</p> <p>2. 3-9774159-60 ORNAMENT
6-9411618 NUT</p> <p>3. 9775991-92 MOLDING & CLIP PKG.
1-9776921 CLIP PKG.</p> <p>4. 9774795-96 MOLDING & CLIP PKG.</p> | <p>5. 9776002-03 MOLDING & CLIP PKG.
1-9776922 CLIP PKG.</p> <p>6. 2-4426202 NAME PLATE
3-9419764 NUT</p> <p>7. 2-4440393 NAME PLATE
3-9419764 NUT</p> <p>8. 4430558 MOLDING-LWR.
7-4474354 CLIP
7-#8-18 x 3/4" SCREW</p> | <p>9. 4430500-01 MOLDING-SIDE
4-4474354 CLIP
4-#8-18 x 3/4" SCREW</p> <p>10. 4456265-66 MOLDING</p> <p>11. 4430502-03 MOLDING-UPR.
4-4474354 CLIP
4-#8-18 x 3/4" SCREW</p> <p>12. 4407522 HEADER-CTR.
2-4409925 SCREW</p> | <p>13. 4407348-49 HEADER-SIDE
2-4409925 SCREW</p> <p>14. 3853106-05 MOLDING & CLIP PKG.</p> <p>15. 3853121 MOLDING & CLIP PKG.</p> <p>16. 4409937-38 EXTENSION
4426772 GASKET
8-4411489 NUT</p> |
|--|---|---|---|



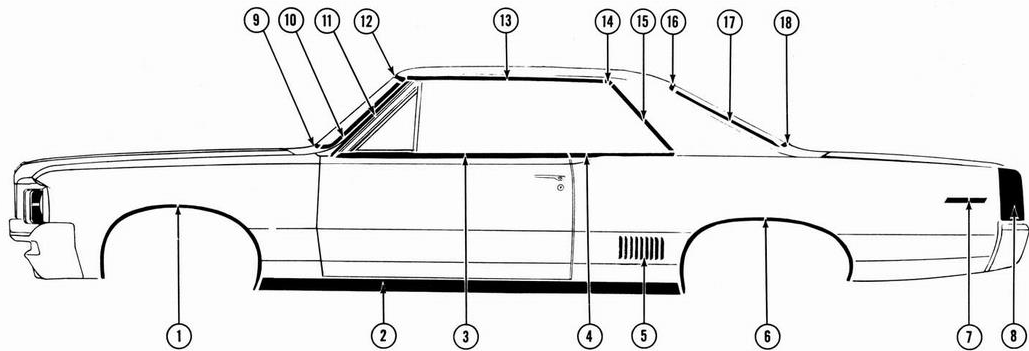
1964 TEMPEST CUSTOM 4-DOOR SEDAN - 2169

- | | | | |
|--|---|---|---|
| 1. 9776011-12 MOLDING & CLIP PKG.
1-9776927 CLIP PKG. | 6. 9775998-99 MOLDING & CLIP PKG.
1-9776922 CLIP PKG. | 11. 4411952-53 MOLDING-FRT. | 18. 4410580-81 MOLDING-REAR |
| 2. 3-9774159-60 ORNAMENT
6-9411618 NUT | 7. 2-4426202 NAME PLATE
3-9419764 NUT | 12. 4430502-03 MOLDING-UPR.
4-4474354 CLIP
4-#8-18 x 3/4" SCREW | 19. 4430542-43 MOLDING-UPR.
7-4474354 CLIP
7-#8-18 x 3/4" SCREW
4-4467715 SPACER |
| 3. 2-9775993 MOLDING & CLIP PKG.
1-9776921 CLIP PKG. | 8. 2-4440393 NAME PLATE
3-9419764 NUT | 13. 4409818-19 MOLDING-UPR. | 20. 4430540-41 MOLDING-LWR.
5-4474354 CLIP
5-#8-18 x 3/4" SCREW
3-4467715 SPACER |
| 4. 9774795-96 MOLDING & CLIP PKG. | 9. 4430558 MOLDING-LWR.
7-4474354 CLIP
7-#8-18 x 3/4" SCREW | 14. 4424792-93 MOLDING-REAR | |
| 5. 9775994-95 MOLDING & CLIP PKG.
1-9776921 CLIP PKG. | 10. 4430500-01 MOLDING-SIDE
4-4474354 CLIP
4-#8-18 x 3/4" SCREW | 15. 4424798-99 MOLDING-PILLAR
2-#8-18 x 1/4" SCREW | 21. 4409937-38 EXTENSION
4426772 GASKET
8-4411489 NUT |
| | | 16. 4464157-58 MOLDING-FRT. | |
| | | 17. 4410810-11 MOLDING-UPR. | |



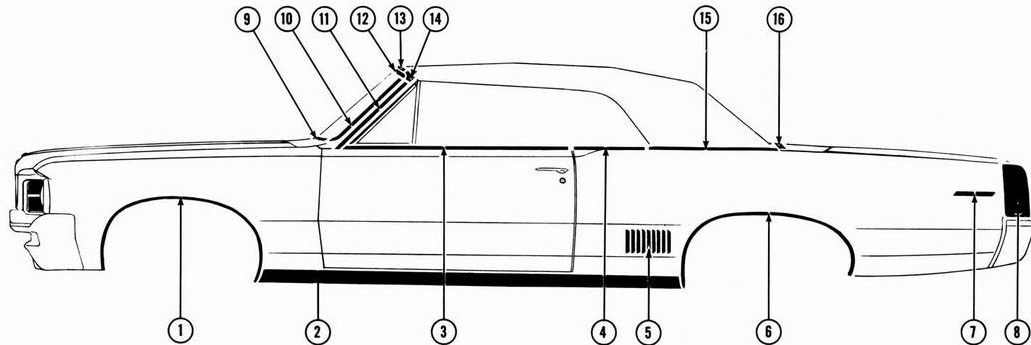
1964 TEMPEST LEMANS 2-DOOR COUPE - 2227 (W/CORDOVA TOP)

- | | | | |
|--|---|---|--|
| 1. 9774787-88 MOLDING
16-588546 SCREW | 7. 4414092-93 NAME PLATE
2-9419764 NUT
2-4674953 WASHER | 13. 4430502-03 MOLDING-UPR.
4-4474354 CLIP
4-#8-18 x 3/4" SCREW | 22. 4430544-45 MOLDING-SIDE
3-4474354 CLIP
3-#8-18 x 3/4" SCREW |
| 2. 9774795-96 MOLDING & CLIP PKG. | 8. 4409934-35 EXTENSION
4426772 GASKET
8-4411489 NUT | 14. 4456072-73 MOLDING-FRT. | 23. 4437501-02 MOLDING-BELT
2-4830980 CLIP
2-9419764 NUT
8-4437487 CLIP |
| 3. 4410816-17 MOLDING
4-#8-18 x 1/2" SCREW | 9. 4430558 MOLDING-LWR.
7-4474354 CLIP
7-#8-18 x 3/4" SCREW | 15. 4409816-17 MOLDING-UPR. | 24. 4430549 MOLDING-LWR.
4-4474354 CLIP
4-#8-18 x 3/4" SCREW |
| 4. 4413675-76 MOLDING-LWR.
3-#8-18 x 3/8" SCREW | 10. 4430500-01 MOLDING-SIDE
4-4474354 CLIP
4-#8-18 x 3/4" SCREW | 16. 4464153-54 MOLDING-REAR | 25. 4440322 MOLDING-BELT
7-4830980 CLIP
7-9419764 NUT |
| 5. 18-4447549 MOLDING
36-9419764 NUT
36-4670360 WASHER | 11. 4430532-33 MOLDING | 17. 4464162-63 MOLDING-FRT.
2-4418717 CLIP | |
| 6. 9775996-97 MOLDING & CLIP PKG. | 12. 4411952-53 MOLDING-FRT. | 18. 2-4456067 ESCUTCHEON | |
| | | 19. 4456074-75 MOLDING-REAR | |
| | | 20. 4411686-87 MOLDING-REAR | |
| | | 21. 4430552-53 MOLDING-UPR.
4-4474354 CLIP
4-#8-18 x 3/4" SCREW | |



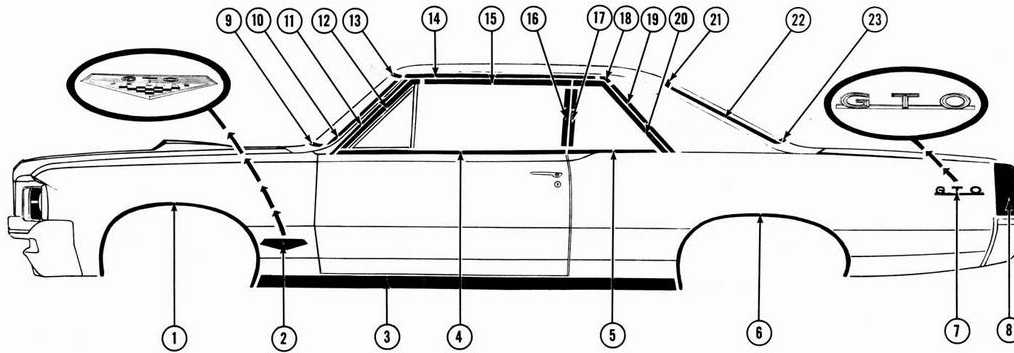
1964 TEMPEST LEMANS 2-DOOR SPORT COUPE — 2237

- | | | | |
|---|--|--|--|
| 1. 9774787-88 MOLDING
16-588546 SCREW | 6. 9775996-97 MOLDING &
CLIP PKG. | 10. 4430500-01 MOLDING-SIDE
4-4474354 CLIP
4-#8-18 x 3/4" SCREW | 15. 4456074-75 MOLDING-REAR |
| 2. 9774795-96 MOLDING &
CLIP PKG. | 7. 4414092-93 NAME PLATE
2-9419764 NUT
2-4674953 WASHER | 11. 4456263-64 MOLDING | 16. 4430552-53 MOLDING-UPR.
4-4474354 CLIP
4-#8-18 x 3/4" SCREW |
| 3. 4453602-03 MOLDING
8-#8-18 x 1/2" SCREW | 8. 4409934-35 EXTENSION
4426772 GASKET
8-4411489 NUT | 12. 4430502-03 MOLDING-UPR.
4-4474354 CLIP
4-#8-18 x 3/4" SCREW | 17. 4430544-45 MOLDING-SIDE
3-4474354 CLIP
3-#8-18 x 3/4" SCREW |
| 4. 4411691-92 MOLDING-LWR.
6-#8-18 x 3/8" SCREW | 9. 4430558 MOLDING-LWR.
7-4474354 CLIP
7-#8-18 x 3/4" SCREW | 13. 4456072-73 MOLDING-FRT. | 18. 4430549 MOLDING-LWR.
4-4474354 CLIP
4-#8-18 x 3/4" SCREW |
| 5. 18-4447549 MOLDING
36-9419764 NUT
36-4670360 WASHER | | 14. 2-4456067 ESCUTCHEON | |



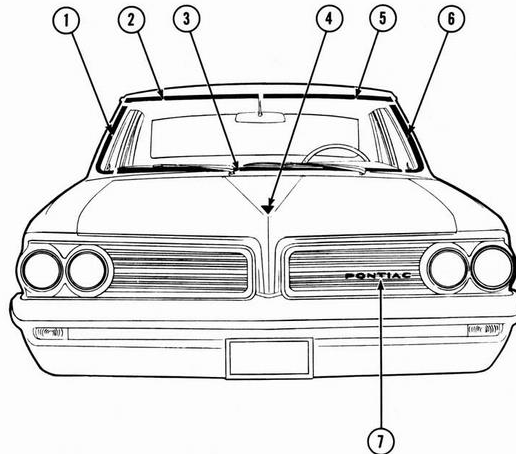
1964 TEMPEST LEMANS CONVERTIBLE COUPE — 2267

- | | | | |
|---|--|--|--|
| 1. 9774787-88 MOLDING
16-588546 SCREW | 6. 9775996-97 MOLDING &
CLIP PKG. | 10. 4430500-01 MOLDING-SIDE
4-4474354 CLIP
4-#8-18 x 3/4" SCREW | 15. 4407518-19 MOLDING-FINISH
2-4798768 SCREW
10-4413975 CLIP
2-4457412 CLIP
2-9420185 NUT
2-3/8" O.D. x 7/64" I.D. x
1/8" WASHER |
| 2. 9774795-96 MOLDING &
CLIP PKG. | 7. 4414092-93 NAME PLATE
2-9419764 NUT
2-4674953 WASHER | 11. 4456265-66 MOLDING | 16. 3853121 MOLDING &
CLIP PKG. |
| 3. 4453604-05 MOLDING
8-#8-18 x 1/2" SCREW | 8. 4409934-35 EXTENSION
4426772 GASKET
8-4411489 NUT | 12. 4430502-03 MOLDING-UPR.
4-4474354 CLIP
4-#8-18 x 3/4" SCREW | |
| 4. 4411956-57 MOLDING-LWR.
4-#8-18 x 1/2" SCREW | 9. 4430558 MOLDING-LWR.
7-4474354 CLIP
7-#8-18 x 3/4" SCREW | 13. 4407522 HEADER-CTR.
2-4409925 SCREW | |
| 5. 18-4447549 MOLDING
36-9419764 NUT
36-4670360 WASHER | | 14. 4407348-49 HEADER-SIDE
2-4409925 SCREW | |



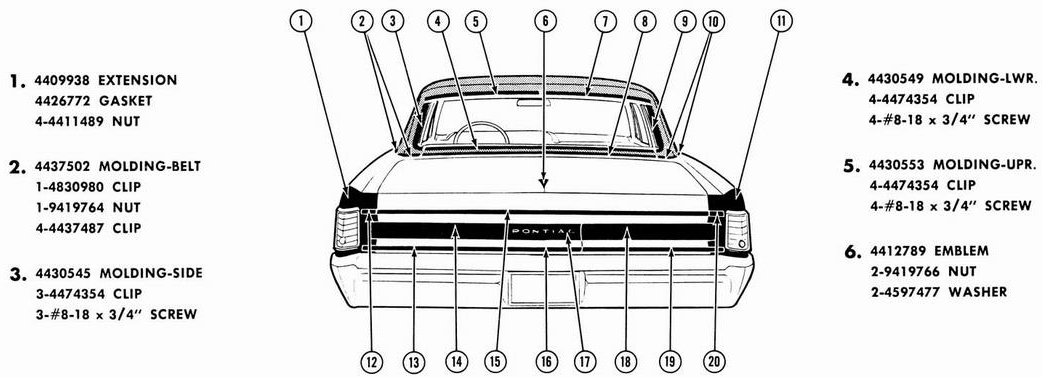
1964 TEMPEST LEMANS G.T.O. OPTION (2227)

- | | | | |
|--|---|---|---|
| 1. 9774787-88 MOLDING
16-588546 SCREW | 7. 2-9775668 NAME PLATE
3-9419764 NUT | 12. 4411952-53 MOLDING-FRT. | 19. 4456074-75 MOLDING-REAR |
| 2. 2-9775867 NAME PLATE
2-3751546 NUT | 8. 4409934-35 EXTENSION
4426772 GASKET
8-4411489 NUT | 13. 4430502-03 MOLDING-UPR.
4-4474354 CLIP
4-#8-18 x 3/4" SCREW | 20. 4411686-87 MOLDING-UPR. |
| 3. 9774795-96 MOLDING &
CLIP PKG. | 9. 4430558 MOLDING-LWR.
7-4474354 CLIP
7-#8-18 x 3/4" SCREW | 14. 4456072-73 MOLDING-FRT. | 21. 4430552-53 MOLDING-UPR.
4-4474354 CLIP
4-#8-18 x 3/4" SCREW |
| 4. 4410816-17 MOLDING
4-#8-18 x 1/2" SCREW | 10. 4430500-01 MOLDING-SIDE
4-4474354 CLIP
4-#8-18 x 3/4" SCREW | 15. 4409816-17 MOLDING-UPR. | 22. 4430544-45 MOLDING-SIDE
3-4474354 CLIP
3-#8-18 x 3/4" SCREW |
| 5. 4413675-76 MOLDING-LWR.
3-#8-18 x 3/8" SCREW | 11. 4430532-33 MOLDING | 16. 4464153-54 MOLDING-REAR | 23. 4430549 MOLDING-LWR.
4-4474354 CLIP
4-#8-18 x 3/4" SCREW |
| 6. 9775996-97 MOLDING &
CLIP PKG. | | 17. 4464162-63 MOLDING-FRT.
3-4464403 CLIP | |
| | | 18. 2-4456067 ESCUTCHEON | |



1964 TEMPEST 2-DOOR COUPE — 2027 — 2127 — 2227 (FRONT END VIEW)

- | | | | |
|---|---|---|--|
| 1. 4430500 MOLDING-SIDE
4-4474354 CLIP
4-#8-18 x 3/4" SCREW | 3. 4430558 MOLDING-LWR.
7-4474354 CLIP
7-#8-18 x 3/4" SCREW | 5. 4430503 MOLDING-UPR.
4-4474354 CLIP
4-#8-18 x 3/4" SCREW | 7. 9774640 NAME PLATE
2-9774749 SPACER
2-9419756 NUT |
| 2. 4430502 MOLDING-UPR.
4-4474354 CLIP
4-#8-18 x 3/4" SCREW | 4. 9774297 EMBLEM
1-3783794 CLIP
1-274999 NUT | 6. 4430501 MOLDING-SIDE
4-4474354 CLIP
4-#8-18 x 3/4" SCREW | |

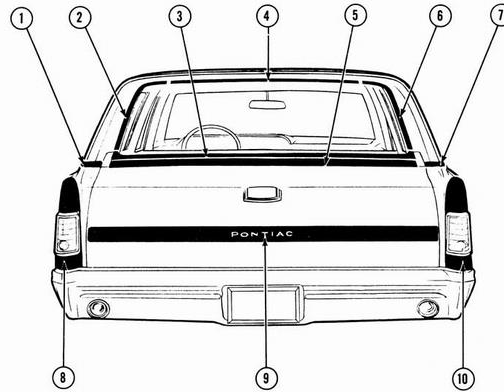


- 1.** 4409938 EXTENSION
4426772 GASKET
4-4411489 NUT
- 2.** 4437502 MOLDING-BELT
1-4830980 CLIP
1-9419764 NUT
4-4437487 CLIP
- 3.** 4430545 MOLDING-SIDE
3-4474354 CLIP
3-#8-18 x 3/4" SCREW

- 4.** 4430549 MOLDING-LWR.
4-4474354 CLIP
4-#8-18 x 3/4" SCREW
- 5.** 4430553 MOLDING-UPR.
4-4474354 CLIP
4-#8-18 x 3/4" SCREW
- 6.** 4412789 EMBLEM
2-9419766 NUT
2-4597477 WASHER

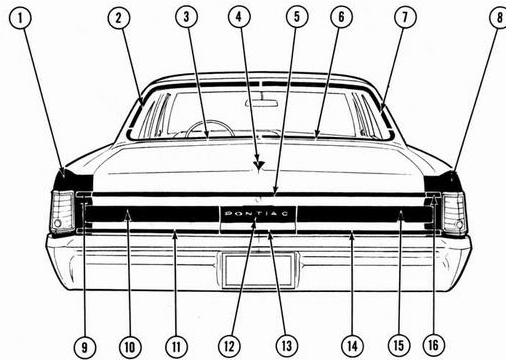
1964 TEMPEST CUSTOM 2-DOOR COUPE — 2127 (W/CORDOVA TOP) (REAR END VIEW)

- | | | | |
|---|--|--|--|
| <ul style="list-style-type: none"> 7. 4430552 MOLDING-UPR.
4-4474354 CLIP
4-#8-18 x 3/4" SCREW 8. 4440322 MOLDING-BELT
7-4830980 CLIP
7-9419764 NUT 9. 4430544 MOLDING-SIDE
3-4474354 CLIP
3-#8-18 x 3/4" SCREW | <ul style="list-style-type: none"> 10. 4437501 MOLDING-BELT
1-4830980 CLIP
1-9419764 NUT
4-4437487 CLIP 11. 4409937 EXTENSION
4426772 GASKET
4-4411489 NUT 12. 9776004 MOLDING & CLIP PKG.
1-9776923 CLIP PKG. | <ul style="list-style-type: none"> 13. 9776010 MOLDING & CLIP PKG.
1-9776925 CLIP PKG. 14. 9776009 MOLDING & CLIP PKG.
1-9776926 CLIP PKG. 15. 9776006 MOLDING & CLIP PKG.
1-9776925 CLIP PKG. 16. 9776007 MOLDING & CLIP PKG.
1-9776925 CLIP PKG. | <ul style="list-style-type: none"> 17. 4414147 PLATE (2027)
3-4877816 NUT 17. 4426869 PLATE (2127)
3-4877816 NUT 18. 9776008 MOLDING & CLIP PKG.
1-9776926 CLIP PKG. 19. 9776010 MOLDING & CLIP PKG.
1-9776925 CLIP PKG. 20. 9776004 MOLDING & CLIP PKG.
1-9776923 CLIP PKG. |
|---|--|--|--|



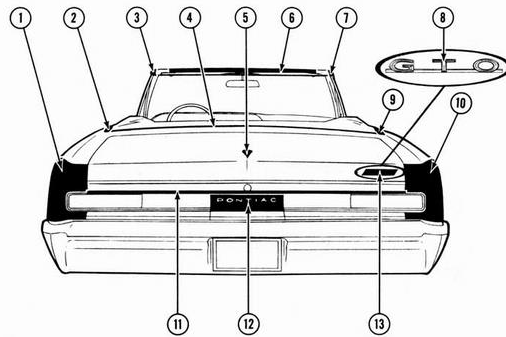
1964 TEMPEST 4-DOOR SAFARI STATION WAGON — 2135 (REAR END VIEW)

- | | | | |
|--|---|--|--|
| <ul style="list-style-type: none"> 1. 4408983 MOLDING-REAR
4-#8-18 x 3/4" SCREW
2-4485531 WASHER 2. 4430495 MOLDING-SIDE
3-#8-18 x 1/4" SCREW
1-4461684 CLIP 3. 4411219 MOLDING-LWR.
2-4801263 SCREW
6-4412822 CLIP 4. 4430498 MOLDING-UPR.
2-#8-18 x 1/4" SCREW | <ul style="list-style-type: none"> 5. 4411968 MOLDING-BELT
5-9419764 NUT
5-4452339 WASHER 6. 4430494 MOLDING-SIDE
3-#8-18 x 1/4" SCREW
1-4461684 CLIP 7. 4408982 MOLDING-REAR
4-#8-18 x 3/4" SCREW
2-4485531 WASHER | <ul style="list-style-type: none"> 8. 4415708 EXTENSION
4426772 GASKET
1-5954893 GASKET
1-4421400 SCREW
2-4755299 NUT
2-4411489 NUT
2-4405528 SCREW 9. 4412519 MOLDING-LWR.
6-4401600 WASHER
6-9419766 NUT | <ul style="list-style-type: none"> 9. 4429229 PLATE (2035)
4-9419761 NUT 10. 4415707 EXTENSION
4426772 GASKET
1-5954893 GASKET
1-4421400 SCREW
2-4755299 NUT
2-4411489 NUT
2-4405528 SCREW |
|--|---|--|--|



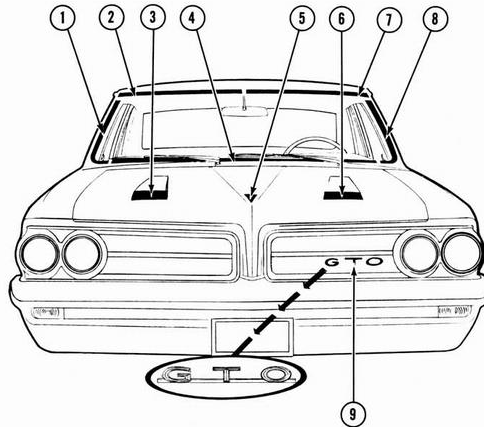
1964 TEMPEST CUSTOM 4-DOOR SEDAN — 2169 (REAR END VIEW)

- | | | | |
|--|--|---|--|
| <p>1. 4409938 EXTENSION
4426772 GASKET
4-4411489 NUT</p> <p>2. 4430543 MOLDING-UPR.
7-4474354 CLIP
7-#8-18 x 3/4" SCREW
4-4467715 SPACER</p> <p>3. 4430541 MOLDING-LWR.
5-4474354 CLIP
5-#8-18 x 3/4" SCREW
4-4467715 SPACER</p> <p>4. 4412789 EMBLEM
2-9419766 NUT
2-4597477 WASHER</p> | <p>5. 9776006 MOLDING & CLIP PKG.
1-9776925 CLIP PKG.</p> <p>6. 4430540 MOLDING-LWR.
5-4474354 CLIP
5-#8-18 x 3/4" SCREW
4-4467715 SPACER</p> <p>7. 4430542 MOLDING-UPR.
7-4474354 CLIP
7-#8-18 x 3/4" SCREW
4-4467715 SPACER</p> <p>8. 4409937 EXTENSION
4426772 GASKET
4-4411489 NUT</p> | <p>9. 9776004 MOLDING & CLIP PKG.
1-9776923 CLIP PKG.</p> <p>10. 9776009 MOLDING & CLIP PKG.
1-9776926 CLIP PKG.</p> <p>11. 9776010 MOLDING & CLIP PKG.
1-9776925 CLIP PKG.</p> <p>12. 4414147 PLATE (2169)
3-4877816 NUT</p> | <p>12. 4426869 PLATE (2069)
3-4877816 NUT</p> <p>13. 9776007 MOLDING & CLIP PKG.
1-9776925 CLIP PKG.</p> <p>14. 9776010 MOLDING & CLIP PKG.
1-9776925 CLIP PKG.</p> <p>15. 9776008 MOLDING & CLIP PKG.
1-9776926 CLIP PKG.</p> <p>16. 9776004 MOLDING & CLIP PKG.
1-9776923 CLIP PKG.</p> |
|--|--|---|--|



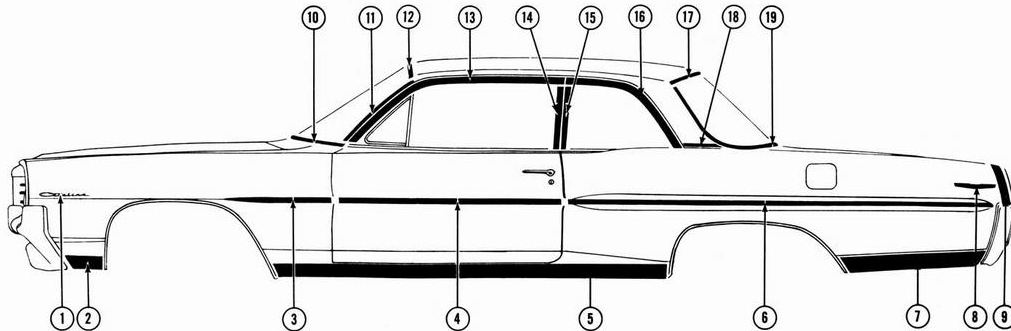
1964 TEMPEST LEMANS CONVERTIBLE COUPE — 2267 (REAR END VIEW)

- | | | | |
|---|---|---|---|
| <p>1. 4409935 EXTENSION
4426772 GASKET
4-4411489 NUT</p> <p>2. 4407519 MOLDING-FINISH
1-4798768 SCREW
5-4413975 CLIP
1-4457412 CLIP
1-9420185 NUT
1-3/8" O.D. x 7/64" I.D. x 1/8" WASHER</p> <p>3. 4407349 HEADER-SIDE
1-4409925 SCREW</p> | <p>4. 4407520 MOLDING-FINISH
13-4413975 CLIP</p> <p>5. 4412789 EMBLEM
2-9419766 NUT
2-4597477 WASHER</p> <p>6. 4407522 HEADER-CTR.
2-4409925 SCREW</p> <p>7. 4407348 HEADER-SIDE
1-4409925 SCREW</p> <p>8. 9775744 EMBLEM-G.T.O.
2-9419764 NUT</p> | <p>9. 4407518 MOLDING-FINISH
1-4798768 SCREW
5-4413975 CLIP
1-4457412 CLIP
1-9420185 NUT
1-3/8" O.D. x 7/64" I.D. x 1/8" WASHER</p> <p>10. 4409934 EXTENSION
4426772 GASKET
4-4411489 NUT</p> | <p>11. 9776005 MOLDING & CLIP PKG.
1-9776924 CLIP PKG.</p> <p>12. 4453753 PLATE
3-4877816 NUT</p> <p>13. 4434840 EMBLEM-LEMANS
2-9419764 NUT</p> |
|---|---|---|---|



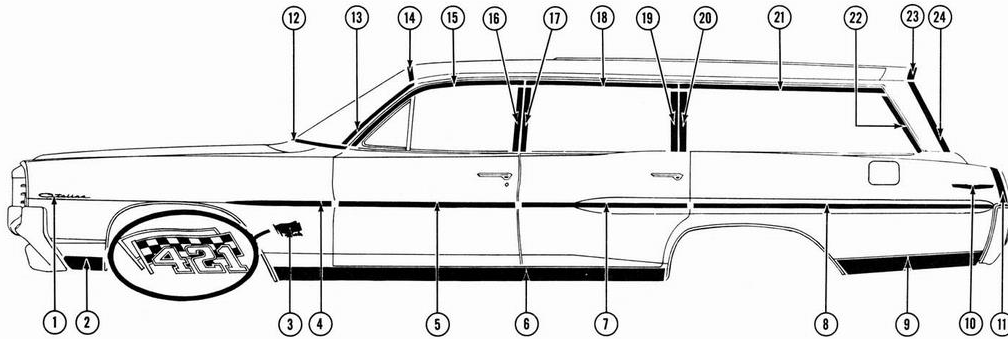
1964 TEMPEST G.T.O. OPTION — 2227 (FRONT END VIEW)

- | | | | |
|--|---|--|--|
| <p>1. 4430500 MOLDING-SIDE
4-4474354 CLIP
4-#8-18 x 3/4" SCREW</p> <p>2. 4430502 MOLDING-UPR.
4-4474354 CLIP
4-#8-18 x 3/4" SCREW</p> <p>3. 9775698 ORNAMENT
2-446063 NUT
2-537196 WASHER</p> | <p>4. 4430558 MOLDING-LWR.
7-4474354 CLIP
7-#8-18 x 3/4" SCREW</p> <p>5. 9774297 EMBLEM
1-3783794 CLIP
1-274999 NUT</p> | <p>6. 9775699 ORNAMENT
2-446063 NUT
2-537196 WASHER</p> <p>7. 4430503 MOLDING-UPR.
4-4474354 CLIP
4-#8-18 x 3/4" SCREW</p> | <p>8. 4430501 MOLDING-SIDE
4-4474354 CLIP
4-#8-18 x 3/4" SCREW</p> <p>9. 9775669 NAME PLATE
3-9775919 SPACER
3-9419756 NUT</p> |
|--|---|--|--|



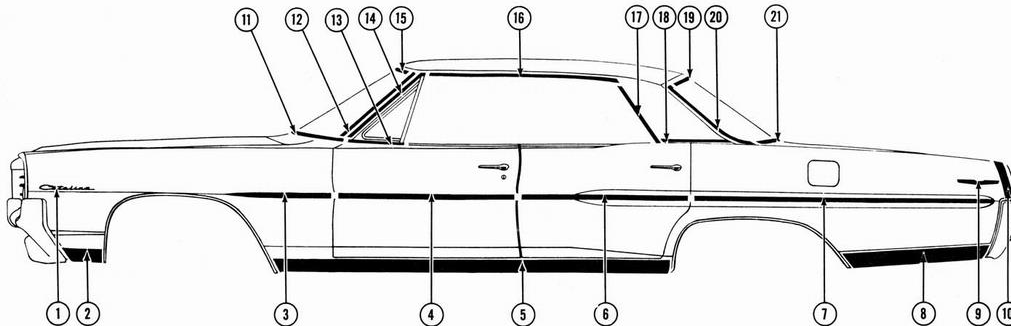
1964 CATALINA 2-DOOR SPORT SEDAN — 2311

- | | | | |
|---|---|---|--|
| <p>1. 2-548482 NAME PLATE
2-541236 NUT & SEALER</p> <p>2. 9775178-79 MOLDING
2-3751546 NUT</p> <p>3. 2-9776049 MOLDING-SIDE
1-9776936 CLIP PKG.</p> <p>4. 2-9776013 MOLDING & CLIP PKG.
1-9776928 CLIP PKG.</p> <p>5. 9771615-16 MOLDING & CLIP PKG.</p> <p>6. 9776023-24 MOLDING & CLIP PKG.
1-9776931 CLIP PKG.</p> | <p>7. 9776036-37 MOLDING & CLIP PKG.
1-9776932 CLIP PKG.</p> <p>8. 2-4435582 EMBLEM
3-9419764 NUT</p> <p>9. 4408515-16 EXTENSION
4426772 GASKET
3-#10-24 x 1/2" SCREW</p> <p>10. 4873368-69 MOLDING-LWR.
9-4878288 CLIP
1-4878672-73 CLIP
11-#8-18 x 3/8" SCREW</p> | <p>11. 4873364-65 MOLDING-SIDE
6-4876634 CLIP
4-4826785 SCREW</p> <p>12. 4807561 MOLDING-UPR.
9-4876634 CLIP
2-4826785 SCREW</p> <p>13. 4876164-65 MOLDING-UPR.</p> <p>14. 4810630-31 MOLDING-REAR</p> <p>15. 4810122-23 MOLDING-FRT.
6-4815673 CLIP
6-#8-32 x 5/16" SCREW</p> | <p>16. 4808748-49 MOLDING-UPR.
4-#8-18 x 3/4" SCREW
4-9417488 NUT</p> <p>17. 4841990-91 MOLDING-UPR.
9-4845393 CLIP
2-9415568 SCREW</p> <p>18. 3853542-41 MOLDING & CLIP PKG.</p> <p>19. 4841992-93 MOLDING-LWR.
14-4845393 CLIP
2-4815279 CLIP
2-#8-18 x 1/2" SCREW</p> |
|---|---|---|--|



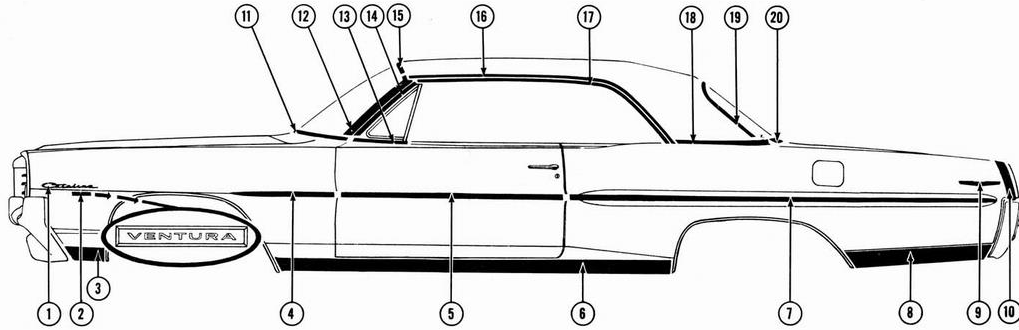
1964 CATALINA 4-DOOR SAFARI STATION WAGON — 2335-45

- | | | | |
|--|---|---|---|
| <p>1. 2-548482 NAME PLATE
2-541236 NUT & SEALER</p> <p>2. 9775178-79 MOLDING
2-3751546 NUT</p> <p>3. 9770035-36 EMBLEM
2-3764146 NUT</p> <p>4. 2-9776049 MOLDING-SIDE
1-9776936 CLIP PKG.</p> <p>5. 2-9776014 MOLDING & CLIP PKG.
1-9776928 CLIP PKG.</p> <p>6. 9771619-20 MOLDING & CLIP PKG.</p> | <p>7. 9776019-20 MOLDING & CLIP PKG.
1-9776930 CLIP PKG.</p> <p>8. 2-9776025 MOLDING & CLIP PKG.
1-9776931 CLIP PKG.</p> <p>9. 9776032-33 MOLDING & CLIP PKG.
1-9776932 CLIP PKG.</p> <p>10. 2-4435582 EMBLEM
3-9419764 NUT</p> <p>11. 4409060-61 EXTENSION
4426772 GASKET
3-#10-24 x 1/2" SCREW</p> | <p>12. 4873368-69 MOLDING-LWR.
9-4878288 CLIP
1-4878672-73 CLIP
11-#8-18 x 3/8" SCREW</p> <p>13. 4873364-65 MOLDING-SIDE
6-4876634 CLIP
4-4826785 SCREW</p> <p>14. 4807561 MOLDING-UPR.
9-4876634 CLIP
2-4826785 SCREW</p> <p>15. 4876160-61 MOLDING-UPR.</p> <p>16. 4810642-43 MOLDING-REAR</p> <p>17. 4810617-18 MOLDING-FRT.</p> | <p>18. 4810626-27 MOLDING-UPR.</p> <p>19. 4810613-14 MOLDING-REAR</p> <p>20. 4808232-33 MOLDING-FRT.
4-4799768 SCREW</p> <p>21. 4808214-15 MOLDING-UPR.
6-4856473 CLIP
6-#8-32 x 5/16" SCREW</p> <p>22. 4808218-19 MOLDING
4-4856473 CLIP
4-#8-32 x 5/16" SCREW</p> <p>23. 4811828 MOLDING
8-4836199 CLIP</p> <p>24. 4835767-68 MOLDING
6-4836199 CLIP</p> |
|--|---|---|---|



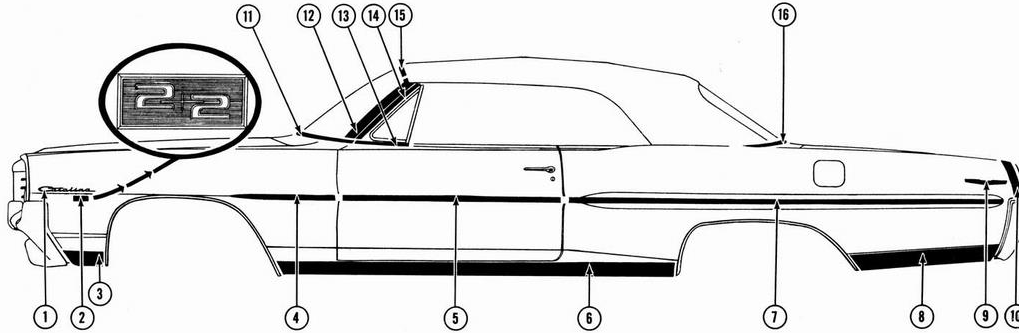
1964 CATALINA 4-DOOR VISTA — 2339

- | | | | |
|--|--|--|---|
| <p>1. 2-548482 NAME PLATE
2-541236 NUT & SEALER</p> <p>2. 9775178-79 MOLDING-FRT.
2-3751546 NUT</p> <p>3. 2-9776049 MOLDING & CLIP PKG.-SIDE
1-9776936 CLIP PKG.</p> <p>4. 2-9776014 MOLDING & CLIP PKG.
1-9776928 CLIP PKG.</p> <p>5. 2-9771615-16 MOLDING & CLIP PKG.</p> | <p>6. 9776019-20 MOLDING & CLIP PKG.
1-9776930 CLIP PKG.</p> <p>7. 2-9776026 MOLDING & CLIP PKG.
1-9776931 CLIP PKG.</p> <p>8. 1-9776036-37 MOLDING & CLIP PKG.
9776932 CLIP PKG.</p> <p>9. 2-4435582 EMBLEM
3-9419764 NUT</p> <p>10. 4408515-16 EXTENSION
4426772 GASKET
3-#10-24 x 1/2" SCREW</p> | <p>11. 4873370-71 MOLDING-LWR.
9-4878288 CLIP
1-4878672-73 CLIP
11-#8-18 x 3/8" SCREW</p> <p>12. 4873252-53 MOLDING-SIDE
6-4876634 CLIP
4-4826785 SCREW</p> <p>13. 4875750-51 MOLDING-VENT
2-4842189 SCREW</p> <p>14. 4405014-15 MOLDING</p> <p>15. 4873418 MOLDING-UPR.
9-4876634 CLIP
2-4826785 SCREW</p> <p>16. 4405000-01 MOLDING-FRT.</p> | <p>17. 4453675-76 MOLDING-REAR</p> <p>18. 4880690-91 MOLDING-BELT
4-4876565 CLIP
2-4411673 CLIP
2-4826785 SCREW
2-4843565 NUT</p> <p>19. 4876025-MOLDING-UPR.
9-4815949 CLIP</p> <p>20. 4873708-09 MOLDING-SIDE
4-4815949 CLIP
4-4876634 CLIP
4-9415568 SCREW</p> <p>21. 4876024 MOLDING-LWR.
7-4815949 CLIP</p> |
|--|--|--|---|



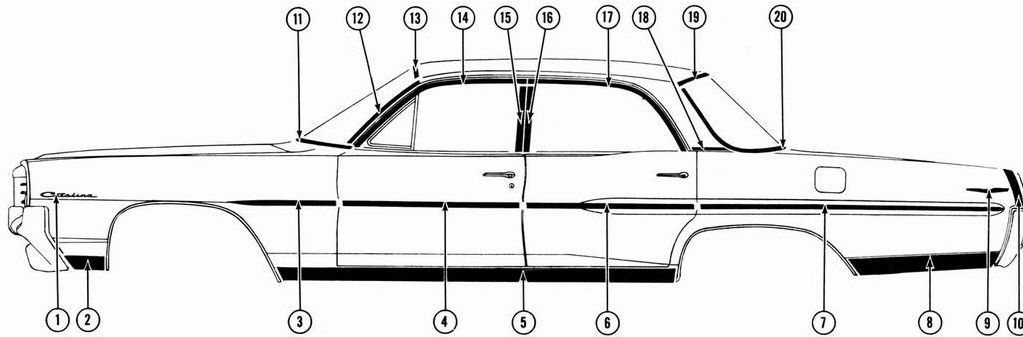
1964 CATALINA 2-DOOR SPORT COUPE - 2347

- | | | | |
|---|---|--|--|
| <p>1. 2-548482 NAME PLATE
2-541236 NUT & SEALER</p> <p>2. 2-9776322 NAME PLATE
2-9419764 NUT</p> <p>3. 9775178-79 MOLDING
2-3751546 NUT</p> <p>4. 2-9776049 MOLDING-SIDE
1-9776936 CLIP PKG.</p> <p>5. 2-9776013 MOLDING & CLIP PKG.
1-9776928 CLIP PKG.</p> <p>6. 9771615-16 MOLDING & CLIP PKG.</p> | <p>7. 9776023-24 MOLDING & CLIP PKG.
1-9776931 CLIP PKG.</p> <p>8. 9776036-37 MOLDING & CLIP PKG.
1-9776932 CLIP PKG.</p> <p>9. 2-4435582 EMBLEM
3-9419764</p> <p>10. 4408515-16 EXTENSION
4426772 GASKET
3-#10-24 x 1/2" SCREW</p> | <p>11. 4458514-15 MOLDING-LWR.
9-4878288 CLIP
1-4878672-73 CLIP
11-#8-18 x 3/8" SCREW</p> <p>12. 4873358-59 MOLDING-SIDE
6-#8-18 x 1/4" SCREW</p> <p>13. 4875754-55 MOLDING-VENT
2-4842189 SCREW</p> <p>14. 4875848-49 MOLDING
4-4829088 SCREW</p> <p>15. 4838489 MOLDING-UPR.
9-4815949 CLIP
2-4826785 SCREW</p> | <p>16. 4839213-14 MOLDING</p> <p>17. 4852925-26 MOLDING
2-4829088 SCREW</p> <p>18. 4840710-11 MOLDING-BELT
2-4402136 BOLT & CLIP
2-4402137 BOLT & CLIP
2-4402138 BOLT & CLIP
6-9419764 NUT</p> <p>19. 4838508-09 MOLDING-UPR.
12-4815949 CLIP</p> <p>20. 4839944 MOLDING-LWR.
6-4815455 CLIP
6-4815949 CLIP</p> |
|---|---|--|--|



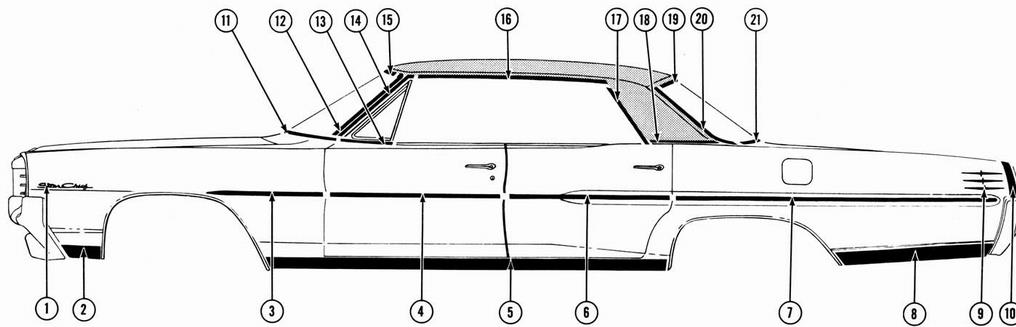
1964 CATALINA CONVERTIBLE COUPE - 2367

- | | | | |
|---|---|--|--|
| <p>1. 2-548482 NAME PLATE
2-541236 NUT & SEALER</p> <p>2. 2-9776384 EMBLEM
4-3764146 NUT & SEALER</p> <p>3. 9775178-79 MOLDING-FRT.
2-3751546 NUT</p> <p>4. 2-9776049 MOLDING & CLIP PKG.-SIDE
9776936 CLIP PKG.</p> <p>5. 2-9776013 MOLDING & CLIP PKG.
1-9776928 CLIP PKG.</p> | <p>6. 9771615-16 MOLDING & CLIP PKG.</p> <p>7. 9776023-24 MOLDING & CLIP PKG.
1-9776931 CLIP PKG.</p> <p>8. 9776036-37 MOLDING & CLIP PKG.
1-9776932 CLIP PKG.</p> <p>9. 2-4435582 EMBLEM
3-9419764 NUT</p> | <p>10. 4408515-16 EXTENSION
4426772 GASKET
3-#10-24 x 1/2" SCREW</p> <p>11. 4458514-15 MOLDING-LWR.
9-4878288 CLIP
1-4878672-73 CLIP
11-#8-18 x 3/8" SCREW</p> <p>12. 4413120-21 MOLDING-SIDE
2-#8-18 x 1/2" SCREW
4-#8-18 x 1/4" SCREW</p> <p>13. 4875754-55 MOLDING-VENT
2-4842189 SCREW</p> | <p>14. 4872828-29 MOLDING
8-4829088 SCREW</p> <p>15. 4811849 MOLDING-UPR.
4-4759766 BOLT & CLIP
4-9419761 NUT
2-#8-18 x 3/8" SCREW</p> <p>16. 4819550-51 MOLDING
6-4819694 CLIP
6-4819695 CLIP
3-4879760 SCREW
3-4773448 FASTENER</p> |
|---|---|--|--|



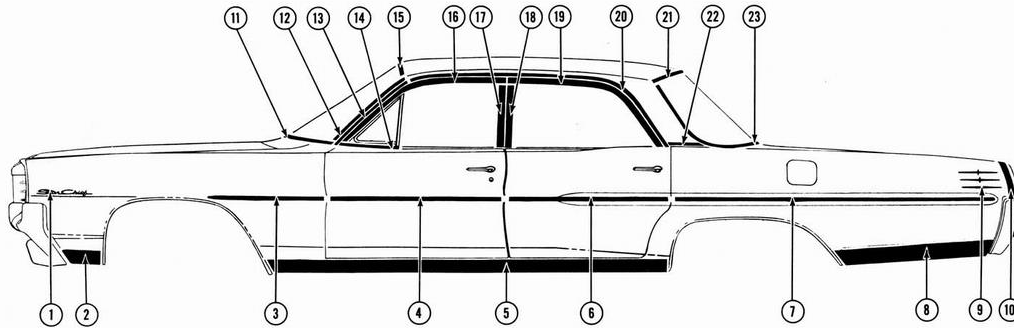
1964 CATALINA 4-DOOR SEDAN — 2369

- | | | | |
|--|--|---|---|
| <p>1. 2-548482 MOLDING
2-541236 NUT & SEALER</p> <p>2. 9775178-79 MOLDING
2-3751546 NUT</p> <p>3. 2-9776049 MOLDING &
CLIP PKG.-SIDE
1-9776936 CLIP PKG.</p> <p>4. 2-9776014 MOLDING &
CLIP PKG.
1-9776928 CLIP PKG.</p> <p>5. 9771617-18 MOLDING &
CLIP PKG.</p> | <p>6. 9776019-20 MOLDING &
CLIP PKG.
1-9776930 CLIP PKG.</p> <p>7. 2-9776026 MOLDING &
CLIP PKG.
1-9776931 CLIP PKG.</p> <p>8. 9776036-37 MOLDING &
CLIP PKG.
1-9776932 CLIP PKG.</p> <p>9. 2-4435582 EMBLEM
6-9419764 NUT</p> | <p>10. 4408515-16 EXTENSION
4426772 GASKET
3-#10-24 x 1/2" SCREW</p> <p>11. 4873370-71 MOLDING-LWR.
9-4878288 CLIP
1-4878672-73 CLIP
11-#8-18 x 3/8" SCREW</p> <p>12. 4873252-53 MOLDING-SIDE
6-4876634 CLIP
4-4826785 SCREW</p> <p>13. 4873418 MOLDING-UPR.
9-4876634 CLIP
2-4826785 SCREW</p> | <p>14. 4876160-61 MOLDING-UPR.</p> <p>15. 4810642-43 MOLDING-REAR</p> <p>16. 4810617-18 MOLDING-FRT.</p> <p>17. 4810624-25 MOLDING-UPR.</p> <p>18. 4452414-15 MOLDING-BELT
2-#8-18 x 3/8" SCREW</p> <p>19. 4841990-91 MOLDING-UPR.
9-4845393 CLIP
2-9415568 SCREW</p> <p>20. 4841992-93 MOLDING-LWR.
15-4845393 CLIP
2-9415568 SCREW</p> |
|--|--|---|---|



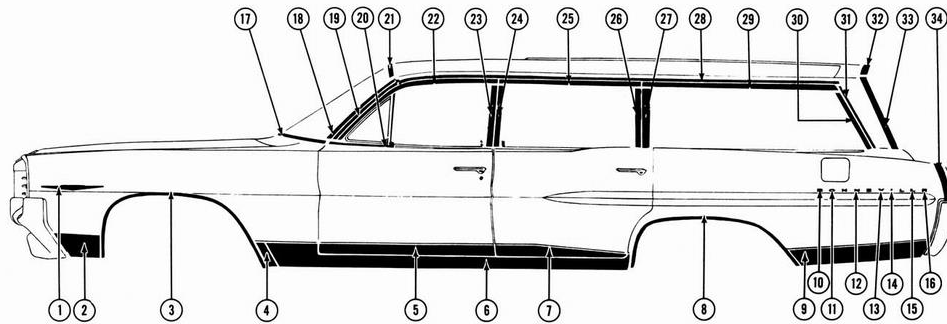
1964 STAR CHIEF 4-DOOR VISTA — 2639

- | | | | |
|---|---|---|---|
| <p>1. 2-548481 NAME PLATE
2-541236 NUT & SEALER</p> <p>2. 9775178-79 MOLDING-FRT.
2-3751546 NUT</p> <p>3. 2-9776049 MOLDING &
CLIP PKG.
1-9776936 CLIP PKG.</p> <p>4. 2-9776014 MOLDING &
CLIP PKG.
1-9776928 CLIP PKG.</p> <p>5. 9771617-18 MOLDING &
CLIP PKG.</p> <p>6. 9776019-20 MOLDING &
CLIP PKG.
1-9776930 CLIP PKG.</p> | <p>7. 2-9776027 MOLDING &
CLIP PKG.
1-9776931 CLIP PKG.</p> <p>8. 9776038-39 MOLDING &
CLIP PKG.
1-9776932 CLIP PKG.</p> <p>9. 3-4426809 ORNAMENT
9-9419761 NUT</p> <p>10. 4408515-16 EXTENSION
4426772 GASKET
3-#10-24 x 1/2" SCREW</p> <p>11. 4873368-69 MOLDING-LWR.
9-4878288 CLIP
1-4878672-73 CLIP
11-#8-18 x 3/8" SCREW</p> | <p>12. 4873364-65 MOLDING-SIDE
6-4876634 CLIP
4-4826785 SCREW</p> <p>13. 4875750-51 MOLDING-VENT
2-4842189 SCREW</p> <p>14. 4405014-15 MOLDING</p> <p>15. 4873418 MOLDING-UPR.
9-4876634 CLIP
2-4826785 SCREW</p> <p>16. 4405000-01 MOLDING-FRT.</p> <p>17. 4453675-76 MOLDING-REAR</p> | <p>18. 4880690-91 MOLDING-BELT
4-4876565 CLIP
2-4411673 CLIP
2-4826785 SCREW
2-4843565 NUT</p> <p>19. 4876025 MOLDING-UPR.
9-4815949 CLIP</p> <p>20. 4873708-09 MOLDING-SIDE
4-4815949 CLIP
4-4876634 CLIP
4-9415568 SCREW</p> <p>21. 4876024 MOLDING-LWR.
7-4815949 CLIP</p> |
|---|---|---|---|



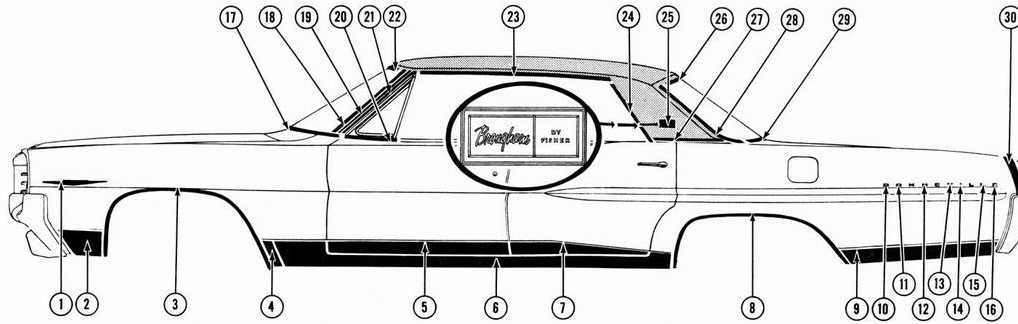
1964 STAR CHIEF 4-DOOR SEDAN — 2669

- | | | | |
|---|--|--|--|
| <p>1. 2-548481 NAME PLATE
2-541236 NUT & SEALER</p> <p>2. 9775178-79 MOLDING-FRT.
2-3751546 NUT</p> <p>3. 2-9776049 MOLDING & CLIP PKG.
1-9776936 CLIP PKG.</p> <p>4. 2-9776014 MOLDING & CLIP PKG.
1-9776928 CLIP PKG.</p> <p>5. 9771617-18 MOLDING & CLIP PKG.</p> | <p>6. 9776019-20 MOLDING & CLIP PKG.
1-9776930 CLIP PKG.</p> <p>7. 2-9776027 MOLDING & CLIP PKG.
1-9776931 CLIP PKG.</p> <p>8. 9776038-39 MOLDING & CLIP PKG.
1-9776932 CLIP PKG.</p> <p>9. 3-4426809 ORNAMENT
9-9419761 NUT</p> <p>10. 4408515-16 EXTENSION
4426772 GASKET
3-#10-24 x 1/2" SCREW</p> | <p>11. 4873368-69 MOLDING-LWR.
9-4878288 CLIP
1-4878672-73 CLIP
11-#8-18 x 3/8" SCREW</p> <p>12. 4873364-65 MOLDING-SIDE
6-4876634 CLIP
4-4876785 SCREW</p> <p>13. 4873352-53 MOLDING</p> <p>14. 4875490-91 MOLDING-VENT
2-4842189 SCREW</p> <p>15. 4807561 MOLDING-UPR.
9-4876634 CLIP
2-4826785 SCREW</p> <p>16. 4876160-61 MOLDING-UPR.</p> | <p>17. 4810642-43 MOLDING-REAR</p> <p>18. 4810617-18 MOLDING-FRT.</p> <p>19. 4810624-25 MOLDING-UPR.</p> <p>20. 4874466-67 MOLDING</p> <p>21. 4841990-91 MOLDING-UPR.
9-4845393 CLIP
2-9415568 SCREW</p> <p>22. 4452414-15 MOLDING-BELT
2-#8-18 x 3/8" SCREW</p> <p>23. 4841992-93 MOLDING-LWR.
15-4845393 CLIP
2-9415568 SCREW</p> |
|---|--|--|--|



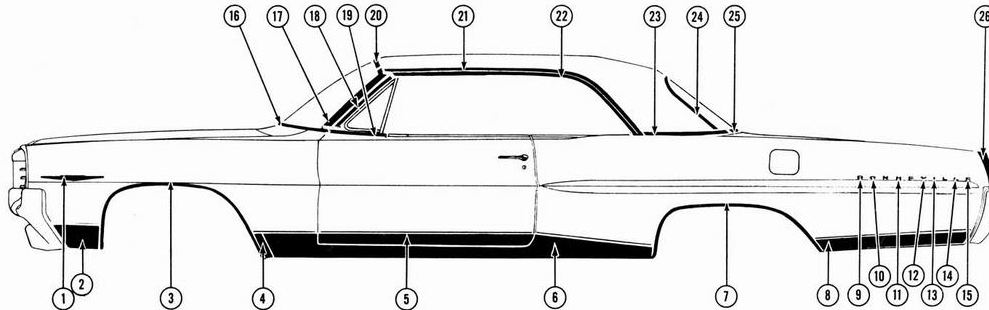
1964 BONNEVILLE 4-DOOR SAFARI STATION WAGON — 2835

- | | | | |
|--|---|---|--|
| <p>1. 2-9774632 NAME PLATE
6-3751546 NUT</p> <p>2. 9774026-27 MOLDING-FRT.
6-4839920 NUT</p> <p>3. 9774176-77 MOLDING
18-588546 SCREW</p> <p>4. 9774028-29 CAP
6-4839920 NUT</p> <p>5. 9776878-79 MOLDING & CLIP PKG.
1-9776938 CLIP PKG.</p> <p>6. 9776052-53 MOLDING & CLIP PKG.
1-9776937 CLIP PKG.</p> <p>7. 9776882-83 MOLDING & CLIP PKG.
1-9776938 CLIP PKG.</p> <p>8. 9771323-24 MOLDING & CLIP PKG.
1-9772395 CLIP PKG.</p> <p>9. 9776032-33 MOLDING & CLIP PKG.
1-9776932 CLIP PKG.</p> | <p>10. 2-4412726 LETTER "B"
2-9419764 NUT
2-4852838 CLIP</p> <p>11. 2-4412727 LETTER "O"
2-9419764 NUT
2-4852838 CLIP</p> <p>12. 4-4412728 LETTER "N"
4-9419764 NUT
4-4852838 CLIP</p> <p>13. 2-4412730 LETTER "V"
2-9419764 NUT
2-4852838 CLIP</p> <p>14. 2-4412731 LETTER "I"
2-9419764 NUT
2-4852838 CLIP</p> <p>15. 4-4412732 LETTER "L"
4-9419764 NUT
4-4852838 CLIP</p> <p>16. 4-4412729 LETTER "E"
4-9419764 NUT
4-4852838 CLIP</p> | <p>17. 4873368-69 MOLDING-LWR.
9-4878288 CLIP
1-4878672-3 CLIP
11-#8-18 x 3/8" SCREW</p> <p>18. 4873364-65 MOLDING-SIDE
6-4876634 CLIP
4-4826785 SCREW</p> <p>19. 4873352-53 MOLDING</p> <p>20. 4875490-91 MOLDING-VENT
2-4842189 SCREW</p> <p>21. 4807561 MOLDING-UPR.
9-4876634 CLIP
2-4826785 SCREW</p> <p>22. 4876160-61 MOLDING-UPR.</p> <p>23. 4810642-43 MOLDING-REAR</p> <p>24. 4810617-18 MOLDING-FRT.</p> <p>25. 4810626-27 MOLDING-UPR.</p> | <p>26. 4810613-14 MOLDING-REAR</p> <p>27. 4808232-33 MOLDING-FRT.
8-4799768 SCREW</p> <p>28. 4873854-55 MOLDING-FRT.</p> <p>29. 4808214-15 MOLDING-UPR.
6-4856473 CLIP
6-#8-32 x 5/16" SCREW</p> <p>30. 4808218-19 MOLDING-REAR
4-4856473 CLIP
4-#8-32 x 5/16" SCREW</p> <p>31. 4810935-36 MOLDING-REAR</p> <p>32. 4811828 MOLDING-UPR.
8-4836199 CLIP</p> <p>33. 4835767-68 MOLDING-SIDE
6-4836199 CLIP</p> <p>34. 4409060-61 EXTENSION
4426772 GASKET
3-#10-24 x 1/2" SCREW</p> |
|--|---|---|--|



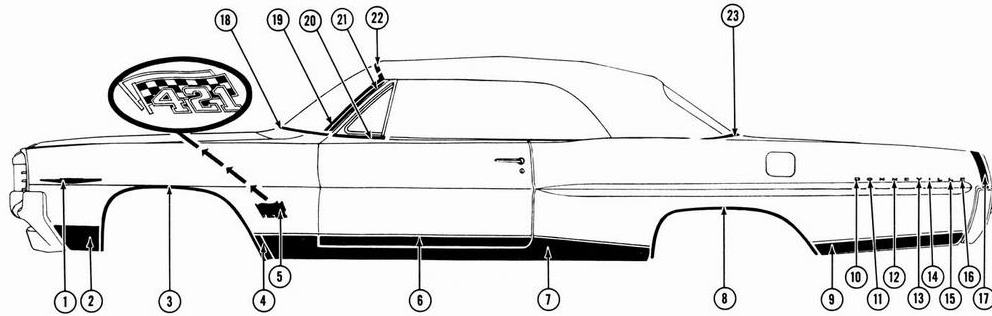
1964 BONNEVILLE 4-DOOR VISTA — 2839 (W/CORDOVA TOP)

- | | | | |
|--|--|--|--|
| <p>1. 2-9774632 NAME PLATE
6-3751546 NUT</p> <p>2. 9774026-27 MOLDING-FRT.
6-4839920 NUT</p> <p>3. 9774176-77 MOLDING
18-588546 SCREW</p> <p>4. 9774028-29 CAP
6-4839920 NUT</p> <p>5. 9776878-79 MOLDING &
CLIP PKG.
1-9776938 CLIP PKG.</p> <p>6. 9776054-55 MOLDING &
CLIP PKG.
1-9776937 CLIP PKG.</p> <p>7. 9776882-83 MOLDING &
CLIP PKG.
1-9776938 CLIP PKG.</p> <p>8. 9771321-22 MOLDING &
CLIP PKG.
1-9772395 CLIP PKG.</p> | <p>9. 9776034-35 MOLDING &
CLIP PKG.
1-9776933 CLIP PKG.</p> <p>10. 2-4412726 LETTER "B"
2-9419761 NUT</p> <p>11. 2-4412727 LETTER "O"
2-9419761 NUT</p> <p>12. 4-4412728 LETTER "N"
4-9419761 NUT</p> <p>13. 2-4412730 LETTER "V"
2-9419761 NUT</p> <p>14. 2-4412731 LETTER "I"
2-9419761 NUT</p> <p>15. 4-4412732 LETTER "L"
4-9419761 NUT</p> <p>16. 4-4412729 LETTER "E"
4-9419761 NUT</p> | <p>17. 4873370-71 MOLDING-LWR.
9-4878288 CLIP
1-4878672-3 CLIP
11-#8-18 x 3/8" SCREW</p> <p>18. 4873252-53 MOLDING-SIDE
6-4876634 CLIP
4-4826785 SCREW</p> <p>19. 4403007-08 MOLDING
3-#8-18 x 1/4" SCREW</p> <p>20. 4875750-51 MOLDING-VENT
2-4842189 SCREW</p> <p>21. 4405014-15 MOLDING</p> <p>22. 4873418 MOLDING-UPR.
9-4876634 CLIP
2-4826785 SCREW</p> <p>23. 4405000-01 MOLDING-FRT.
24. 4453675-76 MOLDING-REAR</p> | <p>25. 4459507 NAME PLATE
4-9419764 NUT</p> <p>26. 4876025 MOLDING-UPR.
9-4815949 CLIP</p> <p>27. 4880690-91 MOLDING-BELT
4-4876565 CLIP
2-4411673 CLIP
2-4826785 SCREW
2-4843565 NUT</p> <p>28. 4873708-09 MOLDING-SIDE
4-4815949 CLIP
4-4876634 CLIP
4-9415568 SCREW</p> <p>29. 4876024 MOLDING-LWR.
7-4815949 CLIP</p> <p>30. 4408515-16 EXTENSION
4426772 GASKET
3-#10-24 x 1/2" SCREW</p> |
|--|--|--|--|



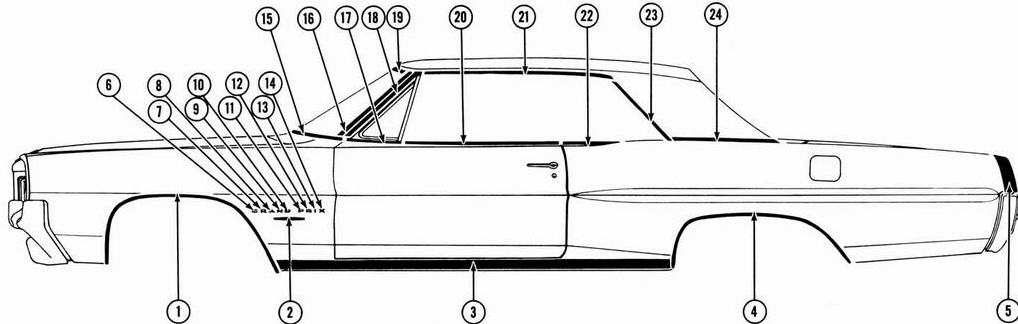
1964 BONNEVILLE 2-DOOR SPORT COUPE — 2847

- | | | | |
|---|---|---|--|
| <p>1. 2-9774632 NAME PLATE
6-3751546 NUT</p> <p>2. 9774026-27 MOLDING-FRT.
6-4839920 NUT</p> <p>3. 9774176-77 MOLDING
18-588546 SCREW</p> <p>4. 9774028-29 CAP
6-4839920 NUT</p> <p>5. 9776880-81 MOLDING &
CLIP PKG.
1-9776938 CLIP PKG.</p> <p>6. 9776050-51 MOLDING &
CLIP PKG.
1-9776937 CLIP PKG.</p> <p>7. 9771321-22 MOLDING &
CLIP PKG.
1-9772395 CLIP PKG.</p> | <p>8. 9776034-35 MOLDING &
CLIP PKG.
1-9776933 CLIP PKG.</p> <p>9. 2-4412726 LETTER "B"
2-9419764 NUT</p> <p>10. 2-4412727 LETTER "O"
2-9419764 NUT</p> <p>11. 4-4412728 LETTER "N"
4-9419764 NUT</p> <p>12. 2-4412730 LETTER "V"
2-9419764 NUT</p> <p>13. 2-4412731 LETTER "I"
2-9419764 NUT</p> <p>14. 4-4412732 LETTER "L"
4-9419764 NUT</p> | <p>15. 4-4412729 LETTER "E"
4-9419764 NUT</p> <p>16. 4458514 MOLDING-LWR.
9-4878288 CLIP
1-4878672-3 CLIP
11-#8-18 x 3/8" SCREW</p> <p>17. 4873358-59 MOLDING-SIDE
6-#8-18 x 1/4" SCREW</p> <p>18. 4875848-49 MOLDING
4-4829088 SCREW</p> <p>19. 4875754-55 MOLDING-VENT
2-4842189 SCREW</p> <p>20. 4838489 MOLDING-UPR.
9-4815949 CLIP
2-4826785 SCREW</p> | <p>21. 4839213-14 MOLDING</p> <p>22. 4852925-26 MOLDING
2-4829088 SCREW</p> <p>23. 4840710-11 MOLDING-BELT
2-4402136 BOLT & CLIP
2-4402137 BOLT & CLIP
2-4402138 BOLT & CLIP
6-9419764 NUT</p> <p>24. 4838508-09 MOLDING-UPR.
12-4815949 CLIP</p> <p>25. 4839944 MOLDING-LWR.
6-4815455 CLIP
6-4815949 CLIP</p> <p>26. 4408515-16 EXTENSION
4426772 GASKET
3-#10-24 x 1/2" SCREW</p> |
|---|---|---|--|



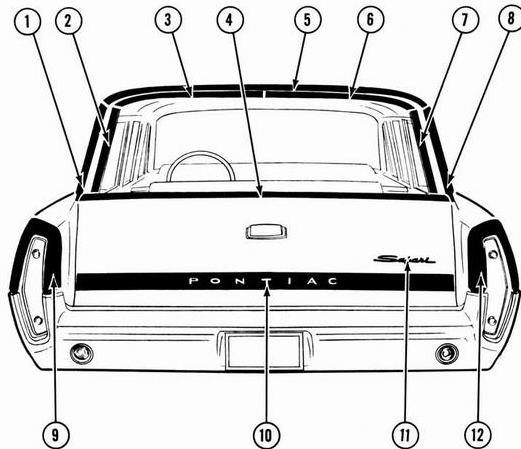
1964 BONNEVILLE CONVERTIBLE COUPE — 2867

- | | | | |
|---|--|--|--|
| <p>1. 2-9774632 NAME PLATE
6-3751546 NUT</p> <p>2. 9774026-27 MOLDING-FRT.
6-4839920 NUT</p> <p>3. 9774176-77 MOLDING
18-588546 SCREW</p> <p>4. 9774028-29 CAP
6-4839920 NUT</p> <p>5. 9770035-36 EMBLEM
2-3764146 NUT</p> <p>6. 9776880-81 MOLDING &
CLIP PKG.</p> <p>7. 9776050-51 MOLDING &
CLIP PKG.</p> <p>1-9776937 CLIP PKG.</p> | <p>8. 9771321-22 MOLDING &
CLIP PKG.
1-9772395 CLIP PKG.</p> <p>9. 9776034-35 MOLDING &
CLIP PKG.
9776933 CLIP PKG.</p> <p>10. 2-4412726 LETTER "B"
2-9419764 NUT</p> <p>11. 2-4412727 LETTER "O"
2-9419764 NUT</p> <p>12. 4-4411728 LETTER "N"
4-9419764 NUT</p> <p>13. 2-4411730 LETTER "V"
2-9419764 NUT</p> <p>14. 2-4411731 LETTER "I"
2-9419764 NUT</p> | <p>15. 4-4411732 LETTER "L"
4-9419764 NUT</p> <p>16. 4-4411729 LETTER "E"
4-9419764 NUT</p> <p>17. 4408515-16 EXTENSION
4426772 GASKET
3-#10-24 x 1/2" SCREW</p> <p>18. 4458514-15 MOLDING-LWR.
9-4878288 CLIP
1-4878672-73 CLIP
11-#8-18 x 3/8" SCREW</p> <p>19. 4413120-21 MOLDING-SIDE
2-#8-18 x 1/2" SCREW
4-#8-18 x 1/4" SCREW</p> | <p>20. 4875754-55 MOLDING-VENT
2-4842189 SCREW</p> <p>21. 4872828-29 MOLDING
8-4829088 SCREW</p> <p>22. 4811849 MOLDING-UPR.
4-4759766 BOLT & CLIP
4-9419761 NUT
2-#8-18 x 3/8" SCREW</p> <p>23. 4819550-51 MOLDING
6-4819694 CLIP
6-4819695 CLIP
3-4879760 SCREW
3-4773448 FASTENER</p> |
|---|--|--|--|



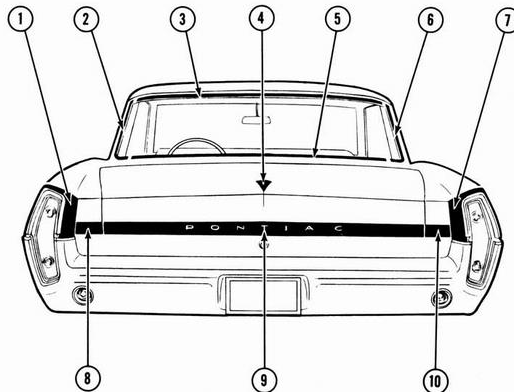
1964 GRAND PRIX 2-DOOR COUPE — 2957

- | | | | |
|--|---|--|---|
| <p>1. 9774176-77 MOLDING &
CLIP PKG.</p> <p>2. 2-9774536 EMBLEM
2-541236 NUT</p> <p>3. 9771615-16 MOLDING &
CLIP PKG.</p> <p>4. 9771321-22 MOLDING &
CLIP PKG.
1-9772395 CLIP PKG.</p> <p>5. 4432200-01 EXTENSION
4426772 GASKET
5-4801719 NUT
3-4864589 SCREW
5-4401600 WASHER</p> | <p>6. 2-9774917 LETTER "G"
2-9776575 CLIP</p> <p>7. 2-9774918 LETTER "R"
2-9776575 CLIP</p> <p>8. 2-9774919 LETTER "A"
2-9776575 CLIP</p> <p>9. 2-9774920 LETTER "N"
2-9776575 CLIP</p> <p>10. 2-9774921 LETTER "D"
2-9776575 CLIP</p> <p>11. 2-9774922 LETTER "P"
2-9776575 CLIP</p> <p>12. 2-9774918 LETTER "R"
2-9776575 CLIP</p> | <p>13. 2-9774923 LETTER "I"
2-9776575 CLIP</p> <p>14. 2-9774924 LETTER "X"
2-9776575 CLIP</p> <p>15. 4873370-71 MOLDING-LWR.
9-4878288 CLIP
1-4878672-73 CLIP
11-#8-18 x 3/8" SCREW</p> <p>16. 4873252-53 MOLDING-SIDE
6-4876634 CLIP
4-4826785 SCREW</p> <p>17. 4875748-49 MOLDING-VENT
2-4842189 SCREW</p> <p>18. 4405014-15 MOLDING</p> | <p>19. 4873418 MOLDING-UPR.
9-4876634 CLIP
2-4826785 SCREW</p> <p>20. 4879148-49 MOLDING
4-9417929 SCREW
2-#8-18 x 1/2" SCREW</p> <p>21. 4405004-05 MOLDING-FRT.
2-4878274-75 MOLDING
6-#8-18 x 1/2" SCREW</p> <p>22. 4879030-31 MOLDING-REAR
2-#8-18 x 1/4" SCREW</p> <p>23. 4411364-65 MOLDING-BELT
8-4839920 NUT
8-4401600 WASHER</p> |
|--|---|--|---|



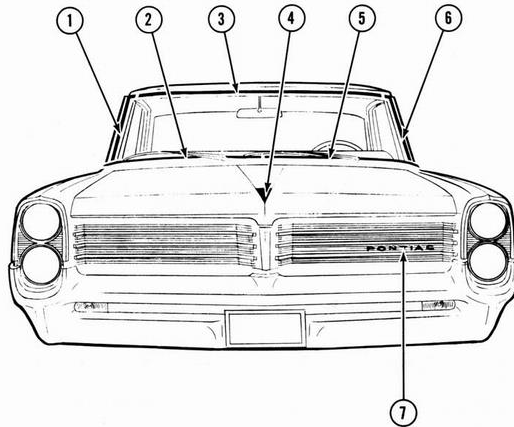
1964 CATALINA 4-DOOR SAFARI STATION WAGON — 2335-45 (REAR END VIEW)

- | | | | |
|--|---|--|---|
| 1. 4835768 MOLDING-SIDE
3-4836199 CLIP | 4. 4892764 MOLDING-LWR.
9-9417929 SCREW
2-#8-32 x 3/8" SCREW | 7. 4811927 MOLDING-SIDE
2-#8-18 x 1/4" SCREW | 10. 4413019 MOLDING
6-9419766 NUT
6-4871098 WASHER |
| 2. 4811928 MOLDING-SIDE
2-#8-18 x 1/4" SCREW | 5. 4811828 MOLDING-UPR.
8-4836199 CLIP | 8. 4835767 MOLDING-SIDE
3-4836199 CLIP | 11. 4786428 NAME PLATE
4-9419761 NUT |
| 3. 4813418 MOLDING-UPR.
3-9415568 SCREW | 6. 4813417 MOLDING-UPR.
3-9415568 SCREW | 9. 4409061 EXTENSION
4426772 GASKET
3-#10-24 x 1/2" SCREW | 12. 4409060 EXTENSION
4426772 GASKET
3-#10-24 x 1/2" SCREW |



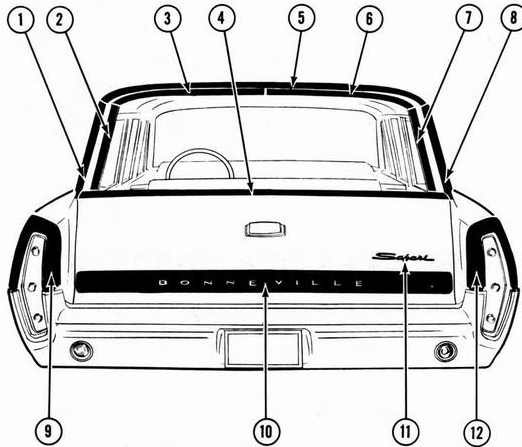
1964 CATALINA 4-DOOR VISTA — 2339 (REAR END VIEW)

- | | | | |
|---|---|--|--|
| 1. 4408516 EXTENSION
4426772 GASKET
3-#10-24 x 1/2" SCREW | 4. 4438272 EMBLEM
2-9419766 NUT
2-4817285 WASHER | 7. 4408515 EXTENSION
4426772 GASKET
3-#10-24 x 1/2" SCREW | 9. 9776040 MOLDING &
CLIP PKG.
1-9776934 CLIP PKG. |
| 2. 4873709 MOLDING-SIDE
2-4815949 CLIP
2-4876634 CLIP
2-9415568 SCREW | 5. 4876024 MOLDING-LWR.
7-4815949 CLIP | 8. 9776044 MOLDING &
CLIP PKG.
1-9776935 CLIP PKG. | 10. 9776043 MOLDING &
CLIP PKG.
1-9776935 CLIP PKG. |
| 3. 4876025 MOLDING-UPR.
9-4815949 CLIP | 6. 4873708 MOLDING-SIDE
2-4815949 CLIP
2-4876634 CLIP
2-9415568 SCREW | | |



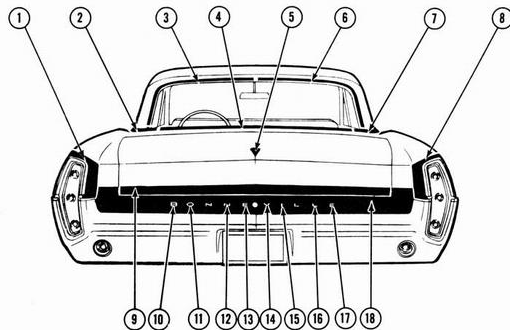
1964 CATALINA 2-DOOR SPORT COUPE – 2347 (FRONT END VIEW)

- | | | |
|--|--|---|
| <p>1. 4873358 MOLDING-SIDE
3-#8-18 x 1/4" SCREW</p> <p>2. 4458514 MOLDING-LWR.
5-4878288 CLIP
1-4878672 CLIP
5-#8-18 x 3/8" SCREW</p> <p>3. 4838489 MOLDING-UPR.
9-4815949 CLIP
2-4826785 SCREW</p> | <p>4. 9774134 EMBLEM
1-3783794 CLIP
1-274999 NUT</p> <p>5. 4458515 MOLDING-LWR.
4-4878288 CLIP
1-4878673 CLIP
6-#8-18 x 3/8" SCREW</p> | <p>6. 4873359 MOLDING-SIDE
3-#8-18 x 1/4" SCREW</p> <p>7. 9774640 NAME PLATE
"PONTIAC"
2-9411618 NUT</p> <p>7. 9775153 NAME PLATE
"BONNEVILLE"
2-9411618 NUT</p> |
|--|--|---|



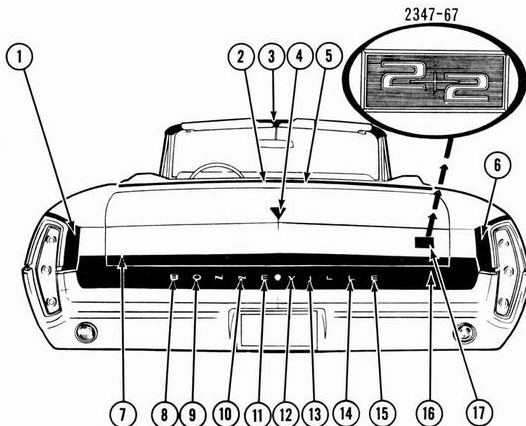
1964 BONNEVILLE 4-DOOR SAFARI STATION WAGON – 2835 (REAR END VIEW)

- | | | | |
|---|---|---|--|
| <p>1. 4835768 MOLDING-SIDE
3-4836199 CLIP</p> <p>2. 4811928 MOLDING-SIDE
2-#8-18 x 1/4" SCREW</p> <p>3. 4813418 MOLDING-UPR.
3-9415568 SCREW</p> | <p>4. 4892764 MOLDING-LWR.
9-9417929 SCREW
2-#8-32 x 3/8" SCREW</p> <p>5. 4811828 MOLDING-UPR.
8-4836199 CLIP</p> <p>6. 4813417 MOLDING-UPR.
3-9415568 SCREW</p> | <p>7. 4811927 MOLDING-SIDE
2-#8-18 x 1/4" SCREW</p> <p>8. 4835767 MOLDING-SIDE
3-4836199 CLIP</p> <p>9. 4409061 EXTENSION
4426772 GASKET
3-#10-24 x 1/2" SCREW</p> | <p>10. 4412797 MOLDING
6-9419766 NUT
6-4871098 WASHER</p> <p>11. 4786428 NAME PLATE
4-9419761 NUT</p> <p>12. 4409060 EXTENSION
4426772 GASKET
3-#10-24 x 1/2" SCREW</p> |
|---|---|---|--|



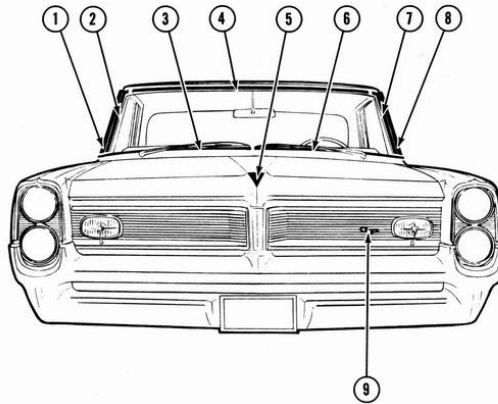
1964 BONNEVILLE 2-DOOR SPORT COUPE – 2847 (REAR END VIEW)

- | | | | |
|--|---|---|---|
| <p>1. 4408516 EXTENSION
4426772 GASKET
3-#10-24 x 1/2" SCREW</p> <p>2. 4840711 MOLDING-BELT
1-4402136 BOLT & CLIP
1-4402137 BOLT & CLIP
1-4402138 BOLT & CLIP
3-9419764 NUT</p> <p>3. 4838509 MOLDING-UPR.
6-4815949 CLIP</p> <p>4. 4839944 MOLDING-LWR.
6-4815455 CLIP
6-4815949 CLIP</p> | <p>5. 4438272 EMBLEM
2-9419766 NUT
2-4817285 WASHER</p> <p>6. 4838508 MOLDING-UPR.
6-4815949 CLIP</p> <p>7. 4840710 MOLDING-BELT
1-4402136 BOLT & CLIP
1-4402137 BOLT & CLIP
1-4402138 BOLT & CLIP
3-9419764 NUT</p> | <p>8. 4408515 EXTENSION
4426772 GASKET
3-#10-24 x 1/2" SCREW</p> <p>9. 9776041 MOLDING & CLIP PKG.
1-9776934 CLIP PKG.</p> <p>10. 5718115 LETTER "B"</p> <p>11. 5718116 LETTER "O"</p> <p>12. 5718117 LETTER "N"</p> | <p>13. 5718118 LETTER "E"-CENTER</p> <p>14. 5718120 LETTER "V"</p> <p>15. 5718121 LETTER "I"</p> <p>16. 5718122 LETTER "L"</p> <p>17. 5718119 LETTER "E"-END</p> <p>18. *9776045 MOLDING & CLIP PKG.
1-9776935 CLIP PKG.
*MOLDING INCLUDES NAME LETTERS</p> |
|--|---|---|---|



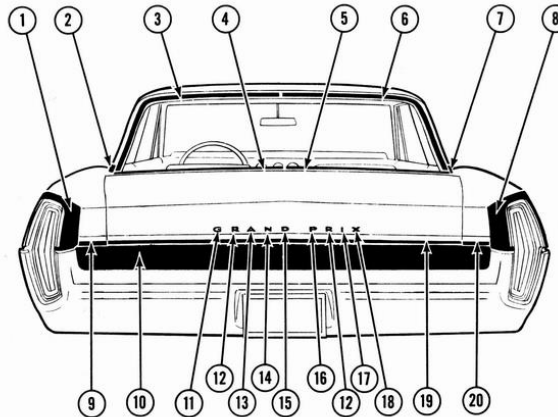
1964 BONNEVILLE CONVERTIBLE COUPE – 2867 (REAR END VIEW)

- | | | | |
|--|--|---|---|
| <p>1. 4408516 EXTENSION
4426772 GASKET
3-#10-24 x 1/2" SCREW</p> <p>2. 4819551 MOLDING
3-4819694 CLIP
3-4819695 CLIP
2-4879760 SCREW
2-4773448 FASTENER</p> <p>3. 4811849 MOLDING-UPR.
4-4759766 BOLT & CLIP
4-9419761 NUT
2-#8-18 x 3/8" SCREW</p> | <p>4. 4438272 EMBLEM
2-9419766 NUT
2-4817285 WASHER</p> <p>5. 4819550 MOLDING
3-4819694 CLIP
3-4819695 CLIP
2-4879760 SCREW
2-4773448 FASTENER</p> <p>6. 4408515 EXTENSION
4426772 GASKET
3-#10-24 x 1/2" SCREW</p> | <p>7. 9776041 MOLDING & CLIP PKG.
1-9776934 CLIP PKG.</p> <p>8. 5718115 LETTER "B"</p> <p>9. 5718116 LETTER "O"</p> <p>10. 5718117 LETTER "N"</p> <p>11. 5718118 LETTER "E"-CENTER</p> <p>12. 5718120 LETTER "V"</p> <p>13. 5718121 LETTER "I"</p> | <p>14. 5718122 LETTER "L"</p> <p>15. 5718119 LETTER "E"-END</p> <p>16. *9776045 MOLDING & CLIP PKG.
1-9776935 CLIP PKG.</p> <p>17. 9776384 EMBLEM (2347-67)
2-3764146 NUT & SEALER
*MOLDING INCLUDES NAME LETTERS</p> |
|--|--|---|---|



1964 GRAND PRIX 2-DOOR SPORT COUPE – 2957 (FRONT END VIEW)

- | | | | |
|---|---|--|---|
| <p>1. 4403007 MOLDING-FINISH
3-#8-18 x 1/4" SCREW</p> <p>2. 4873252 MOLDING-SIDE
4-4876634 CLIP
2-4826785 SCREW</p> | <p>3. 4873370 MOLDING-LWR.
5-4878288 CLIP
1-4878672 CLIP
5-#8-18 x 3/8" SCREW</p> <p>4. 4873418 MOLDING-UPR.
9-4876634 CLIP
2-4826785 SCREW</p> | <p>5. 9774134 EMBLEM
1-3783794 CLIP
1-274999 NUT</p> <p>6. 4873371 MOLDING-LWR.
4-4878288 CLIP
1-4878673 CLIP
6-#8-18 x 3/8" SCREW</p> | <p>7. 4873253 MOLDING-SIDE
4-4876634 CLIP
2-4826785 SCREW</p> <p>8. 4403008 MOLDING-FINISH
3-#8-18 x 1/4" SCREW</p> <p>9. 9774488 EMBLEM
2-9411618 NUT</p> |
|---|---|--|---|



1964 GRAND PRIX 2-DOOR SPORT COUPE – 2957 (REAR END VIEW)

- | | | | |
|---|---|--|--|
| <p>1. 4432201 EXTENSION
4426772 GASKET
5-4801719 NUT
3-4864589 SCREW
5-4401600 WASHER</p> <p>2. 4411365 MOLDING-BELT
4-4839920 NUT
4-4401600 WASHER</p> <p>3. 4880556 MOLDING-UPR.
7-4876634 CLIP</p> <p>4. 4880554 MOLDING-LWR.
6-4876634 CLIP
1-9415568 SCREW</p> | <p>5. 4880553 MOLDING-LWR.
6-4876634 CLIP
1-9415568 SCREW</p> <p>6. 4880555 MOLDING-UPR.
7-4876634 CLIP</p> <p>7. 4411364 MOLDING-BELT
4-4839920 NUT
4-4401600 WASHER</p> <p>8. 4432200 EXTENSION
4426772 GASKET
5-4801719 NUT
3-4864589 SCREW
5-4401600 WASHER</p> | <p>9. 9776047 MOLDING &
CLIP PKG.
1-9776935 CLIP PKG.</p> <p>10. 9776048 MOLDING &
CLIP PKG.
1-9776935 CLIP PKG.</p> <p>11. 4431886 LETTER "G"
1-9419761 NUT</p> <p>12. 4431887 LETTER "R"
1-9419761 NUT</p> <p>13. 4431888 LETTER "A"
1-9419761 NUT</p> <p>14. 4431889 LETTER "N"
1-9419761 NUT</p> | <p>15. 4431890 LETTER "D"
2-4852838 CLIP</p> <p>16. 4431891 LETTER "P"
1-9419761 NUT</p> <p>17. 4431892 LETTER "I"
1-9419761 NUT</p> <p>18. 4431893 LETTER "X"
1-9419761 NUT</p> <p>19. 9776042 MOLDING &
CLIP PKG.
1-9776934 CLIP PKG.</p> <p>20. 9776046 MOLDING &
CLIP PKG.
1-9776935 CLIP PKG.</p> |
|---|---|--|--|

CLIP PACKAGE COMPONENTS ARE IDENTIFIED IN THE FOLLOWING LIST. ALL COMPONENTS ARE AVAILABLE FOR SEPARATE SERVICE EXCEPT THOSE ITEMS MARKED WITH AN ASTERISK.

9776921	Clip Pkg. 2-4417599 Clip 2-*4880918 Screw 5-4457425 Clip	9776931	Clip Pkg. 9-4423009 Clip 1-4850105 Clip 1-4889446 Nut 1-4440306 Clip
9776922	Clip Pkg. 7-4457425 Clip 4-4837358 Clip 4-4837002 Nut	9776932	Clip Pkg. 2-*4452373 Screw 4-4836769 Clip
9776923	Clip Pkg. 1-*4407822 Screw 1-4440304 Clip	9776933	Clip Pkg. 3-*4879431 Screw 4-4406684 Washer 2-9419766 Nut 2-4877401 Clip
9776924	Clip Pkg. 6-4404877 Clip 6-4883368 Nut 2-4848478 Clip 2-*4871644 Screw	9776934	Clip Pkg. 4-9419766 Nut 2-9418105 Nut 6-4406684 Washer 2-4461974 Washer
9776925	Clip Pkg. 6-*4817162 Clip 6-9419764 Nut 2-4421812 Clip 3-*4871644 Screw	9776935	Clip Pkg. 12-9419766 Nut 8-4445612 Washer 6-4406684 Washer 6-4817285 Washer
9776926	Clip Pkg. 3-9419766 Nut 3-4846513 Washer	9776936	Clip Pkg. 2-9421347 Nut & Sealer 1-541185 Retainer 1-4817164 Retainer 1-541697 Retainer
9776927	Clip Pkg. 1-541697 Retainer 2-9421347 Nut & Sealer 1-4693336 Bolt & Clip 4-4817164 Retainer	9776937	Clip Pkg. 3-*9418957 Screw 1-441239 Nut 8-380859 Clip 1-4839920 Nut & Sealer 3-9774559 Washer 2-*9421392 Screw
9776928	Clip Pkg. 2-4879481 Clip 2-*4880959 Screw 4-4423028 Clip	9776938	Clip Pkg. 4-4465028 Washer 2-4880645 Washer 2-*4881017 Screw 4-4470385 Clip
9776930	Clip Pkg. 2-4423028 Clip 3-4423009 Clip 1-4423008 Clip 1-*4880959 Screw 1-4850104 Clip 1-4644959 Nut		

